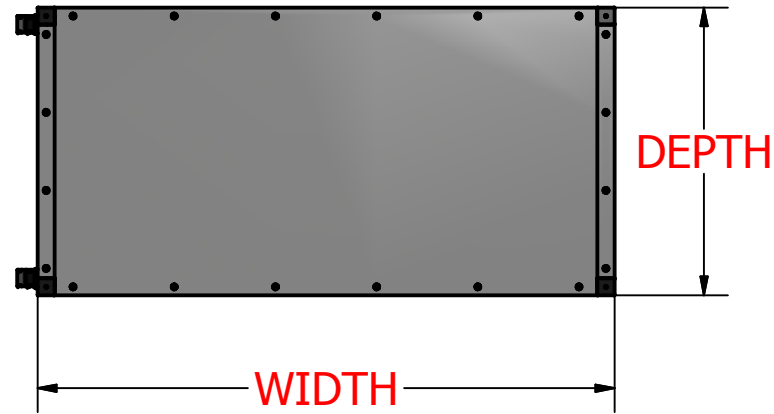
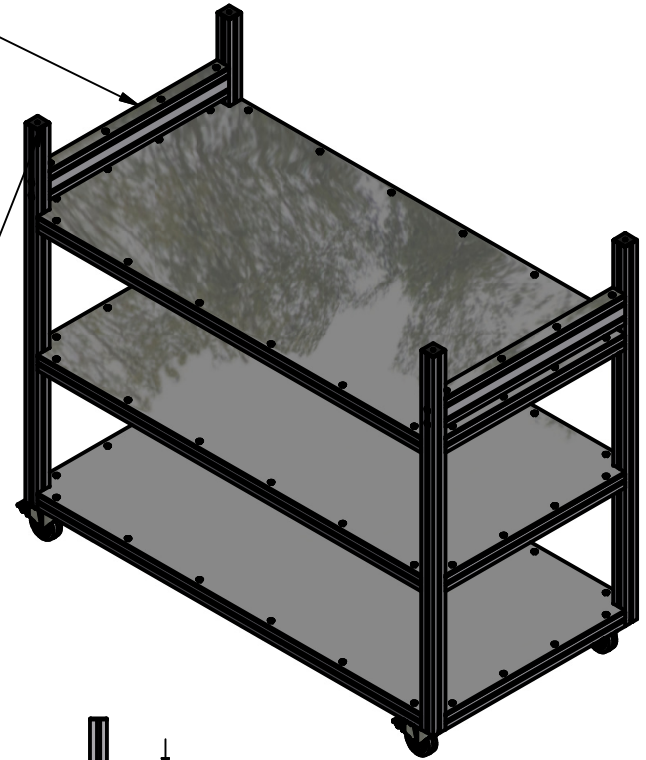


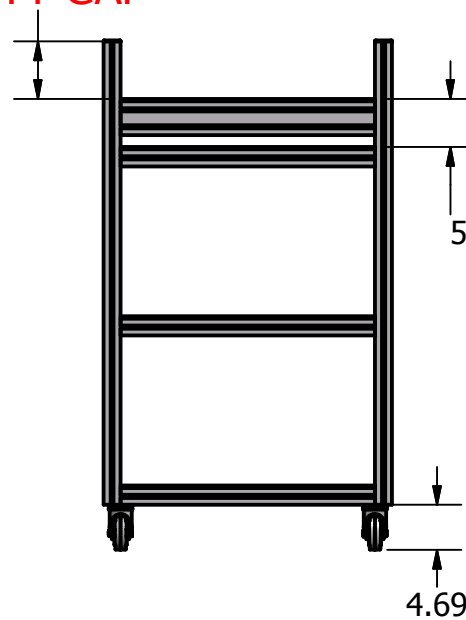
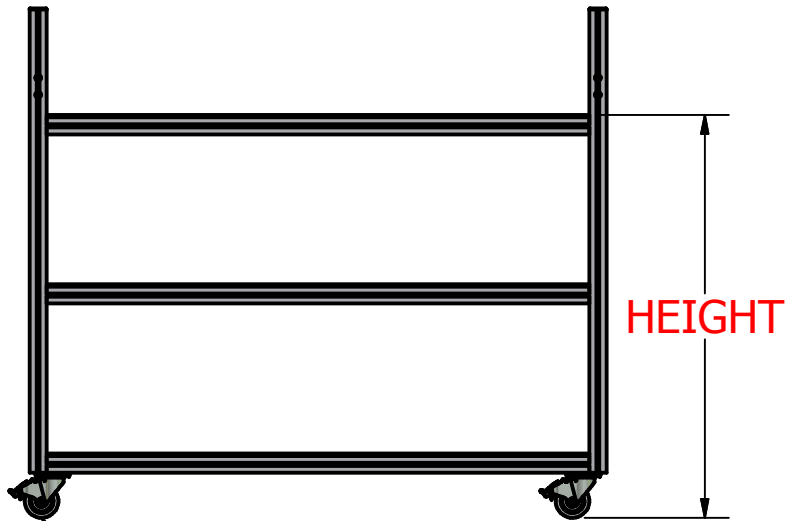
DURABLE BLACK HDPE PLASTIC HAS AN ATTRACTIVE ORANGE PEEL FINISH & WON'T SCRATCH RAW MATERAILS



EXTENDED LEGS KEEP LONG BOXES FROM FALLING OFF



SAFETY GAP



5.00 GAP FOR FORKLIFT

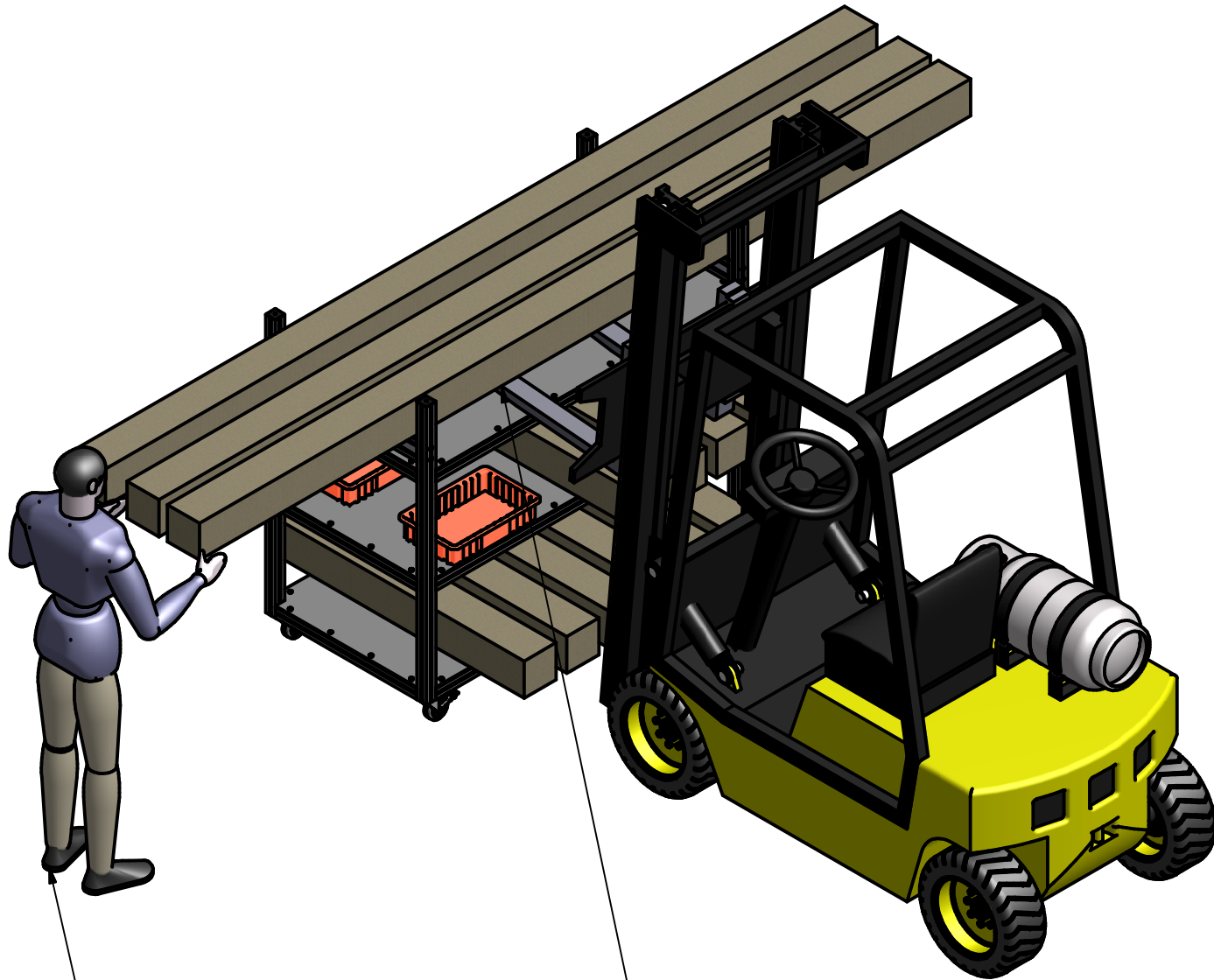
21.9401 SWIVEL CASTER WITH TOTAL LOCK BRAKE 250 LB CAP.

LOAD RATING DEPENDS ON SIZE & TYPE OF USE. THIS DESIGN IS GENERALLY FOR THE 200 - 1000 POUND RANGE

**MiniTec**  
THE ART OF SIMPLICITY

WWW.MINITECFRAMING.COM  
VICTOR, NY  
PH # 585 924-4690  
DIRECT 585 398-1240 EXT 104  
FX # 585 924-4821  
amoles@minitecframing.com

TITLE LONG BOX TRANSPORT & STORAGE CART	DWG NO <b>SP051513</b>	REV
--	---------------------------	-----



SMOOTH ROLLING BALL BEARING  
CASTERS ALLOW CART TO BE  
PUSHED USING THE LONG  
BOXES WHEN NECESSARY

5" GAP ALLOWS LOADING & UNLOADING  
LONGS BOXES WITH A FORK TRUCK

**MiniTec**  
THE ART OF SIMPLICITY  
WWW.MINITECFRAMING.COM  
VICTOR, NY  
PH # 585 924-4690  
DIRECT 585 398-1240 EXT 104  
FX # 585 924-4821  
amoles@minitecframing.com

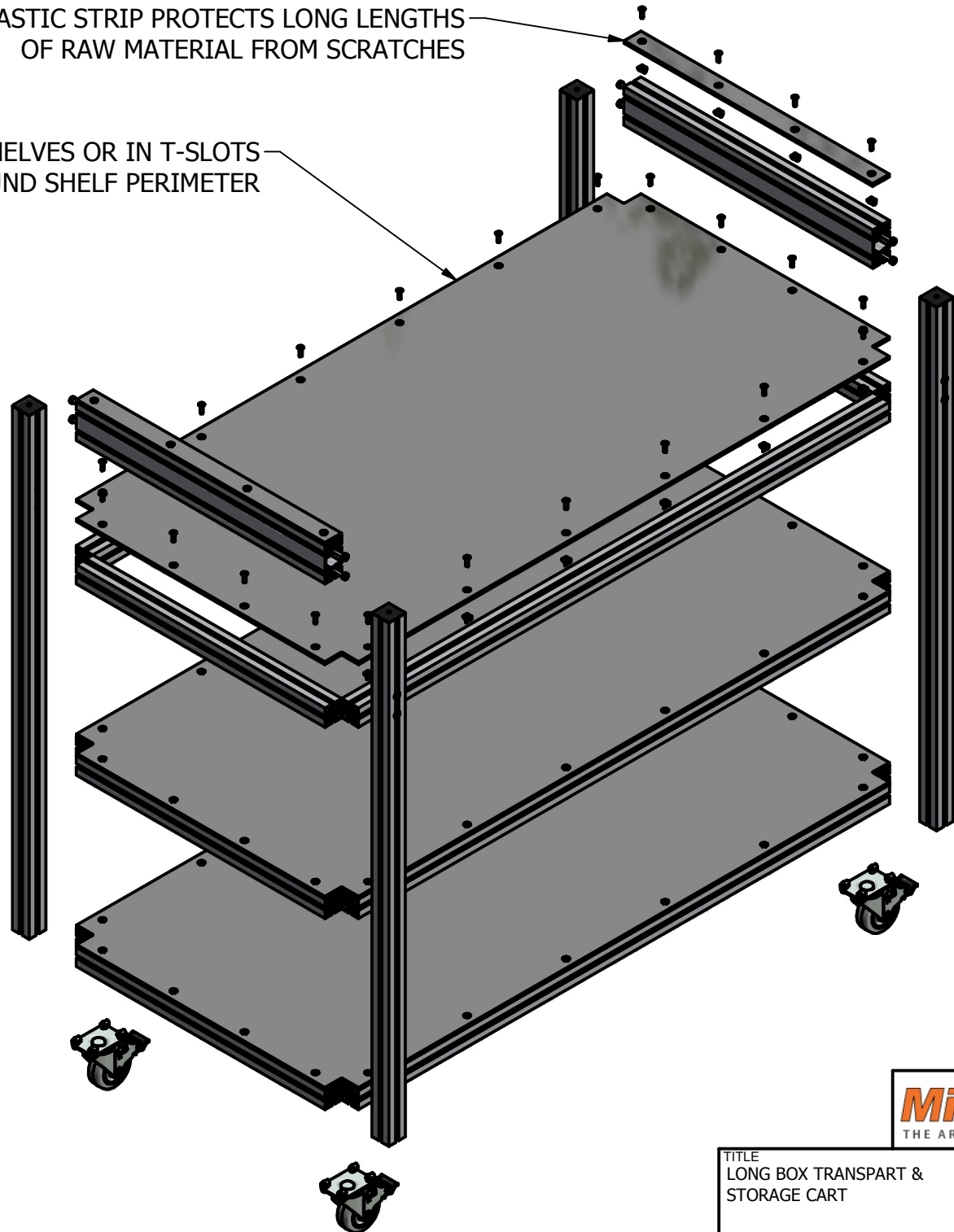
TITLE  
LONG BOX TRANSPORT &  
STORAGE CART

DWG NO  
**SP051513**

REV

HDPE PLASTIC STRIP PROTECTS LONG LENGTHS  
OF RAW MATERIAL FROM SCRATCHES

PANELS CAN BE ON TOP OF SHELVES OR IN T-SLOTS  
CREATING A 3/4" LIP AROUND SHELF PERIMETER



**MiniTec**  
THE ART OF SIMPLICITY  
WWW.MINITECFRAMING.COM  
VICTOR, NY  
PH # 585 924-4690  
DIRECT 585 398-1240 EXT 104  
FX # 585 924-4821  
amoles@minitecframing.com

TITLE LONG BOX TRANSPORT & STORAGE CART	DWG NO <b>SP051513</b>	REV
---	---------------------------	-----