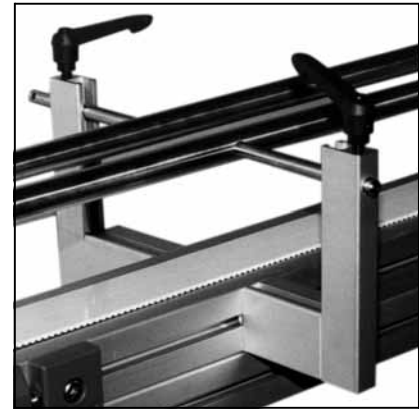
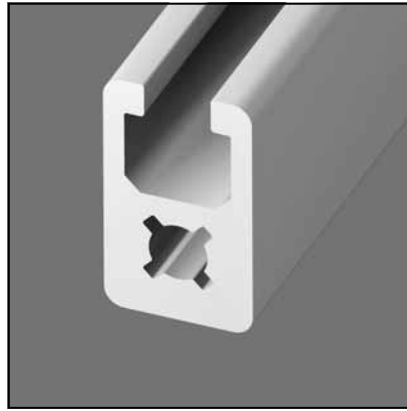
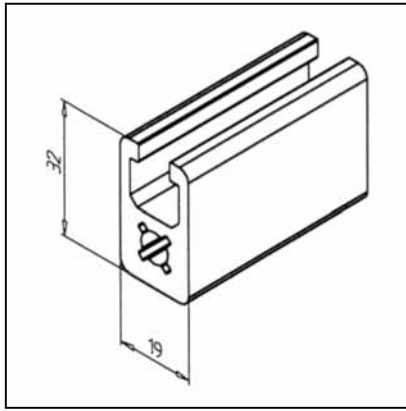


PROFILE 19 X 32

Part. N° 20.1000/0



TECHN. DATA / ITEMS SUPPLIED

- lx =	3,102 cm ⁴
- ly =	1,526 cm ⁴
- wx =	1,651 cm ³
- wy =	1,606 cm ³
- Weight	0,987 kg/m
- Length	6 m
- Packing unit	60 m

APPLICATIONS

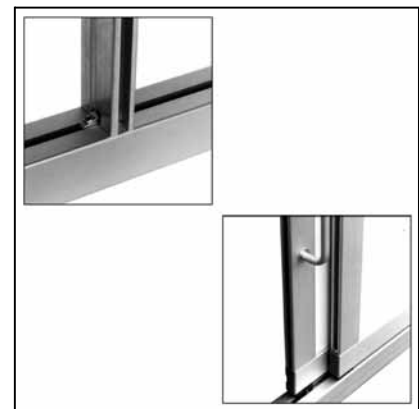
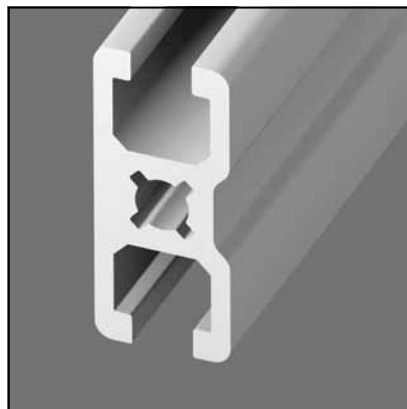
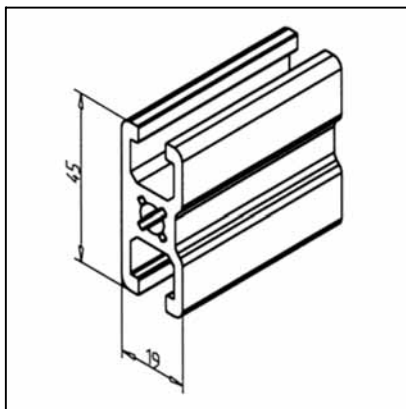
- Light constructions
- Panel frames
- Light supports
- Grip rails

ASSEMBLY

- MiniTec power-lock fastener
- Angle 19
- Bolt-fastener 15
- Screw connection

PROFILE 19 X 45

Part. N° 20.1001/0



TECHN. DATA / ITEMS SUPPLIED

- lx =	6,173 cm ⁴
- ly =	1,843 cm ⁴
- wx =	2,743 cm ³
- wy =	1,836 cm ³
- Weight	1,101 kg/m
- Length	6 m
- Packing unit	60 m

APPLICATIONS

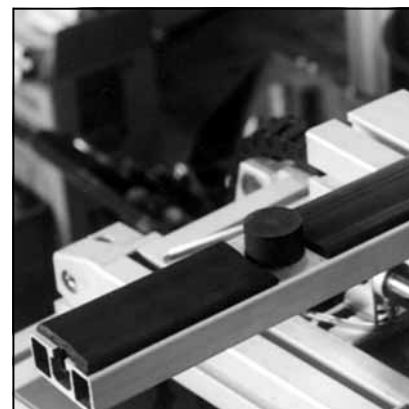
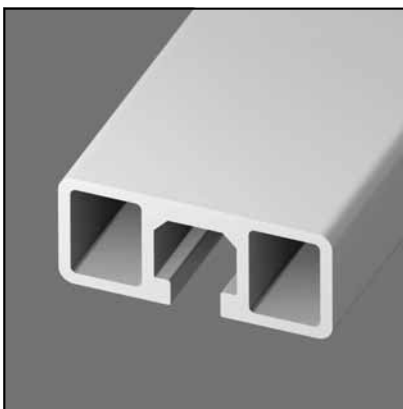
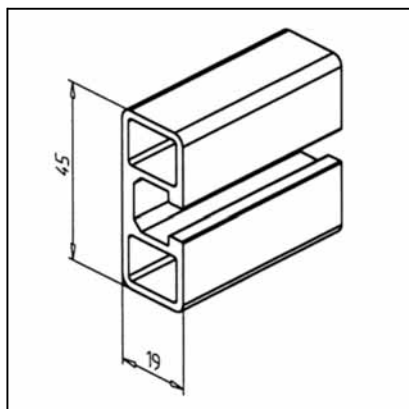
- Light supports, Braces
- Light constructions
- Panel frames
- Shelves

ASSEMBLY

- MiniTec power-lock fastener
- Angle 19
- Bolt-fastener 15
- Screw connection

PROFILE 45 X 19

Part. N° 20.1012/0



TECHN. DATA / ITEMS SUPPLIED

- lx =	6,045 cm ⁴
- ly =	1,529 cm ⁴
- wx =	2,687 cm ³
- wy =	1,494 cm ³
- Weight	0,869 kg/m
- Length	6 m
- Packing unit	72 m

APPLICATIONS

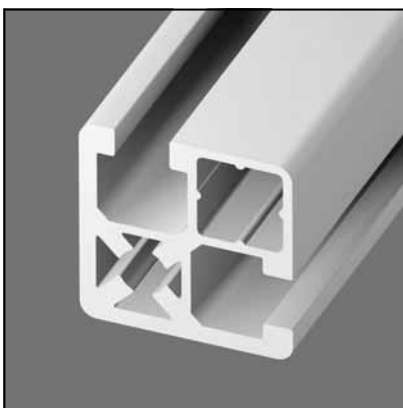
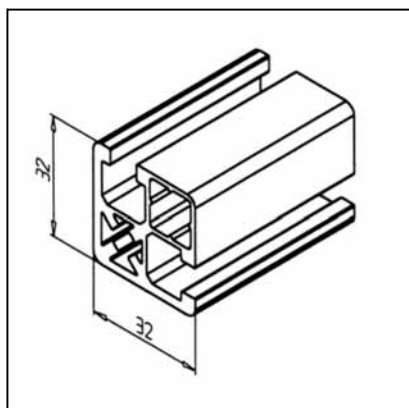
- Light constructions
- Light Sliding doors
- Bracings
- Sliding windows
- Tables

ASSEMBLY

- Angle 25
- Bolt-fastener

PROFILE 32 X 32 UL

Part. N° 20.1064/0



TECHN. DATA / ITEMS SUPPLIED

- lx =	4,100 cm ⁴
- ly =	4,100 cm ⁴
- wx =	2,267 cm ³
- wy =	2,267 cm ³
- Weight	1,052 kg/m
- Length	6 m
- Packing unit	48 m

APPLICATIONS

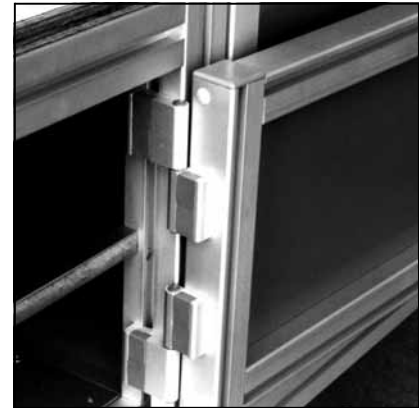
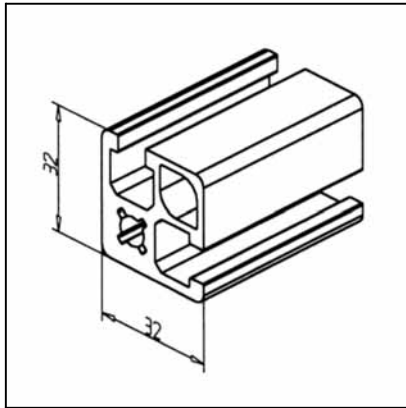
- Light constructions
- Tables
- Horizontal or vertical-sliding doors
- Bracings

ASSEMBLY

- MiniTec power-lock fastener
- Angle 19
- Bolt-fastener 15
- Screw connection

PROFILE 32 X 32 F

Part. N° 20.1054/0



TECHN. DATA / ITEMS SUPPLIED

- lx =	4,825 cm ⁴
- ly =	4,825 cm ⁴
- wx =	2,703 cm ³
- wy =	2,703 cm ³
- Weight	1,288 kg/m
- Length	6 m
- Packing unit	48 m

APPLICATIONS

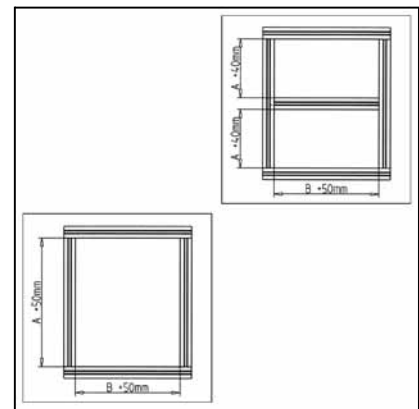
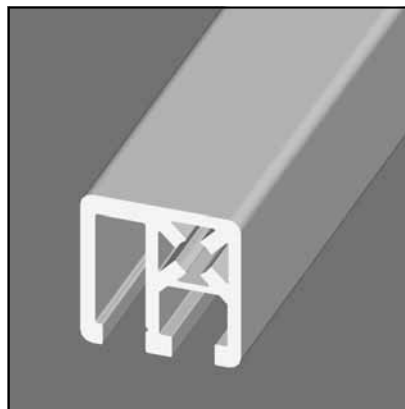
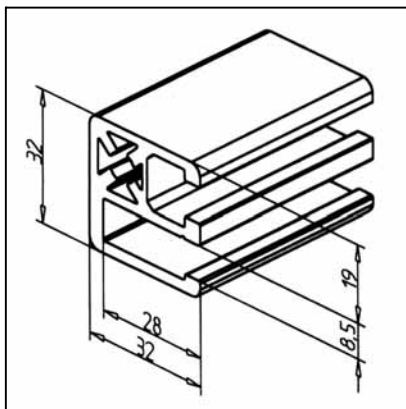
- Light constructions
- Tables
- Horizontal or vertical-sliding doors
- Bracings

ASSEMBLY

- MiniTec power-lock fastener
- Angle 19
- Bolt-fastener 15
- Screw connection

CLAMP PROFILE 32 X 32

Part. N° 20.1070/0



TECHN. DATA / ITEMS SUPPLIED

- lx =	5,024 cm ⁴
- ly =	4,418 cm ⁴
- wx =	3,041 cm ³
- wy =	2,398 cm ³
- Weight	1,211 kg/m
- Length	6 m
- Packing unit	48 m

APPLICATIONS

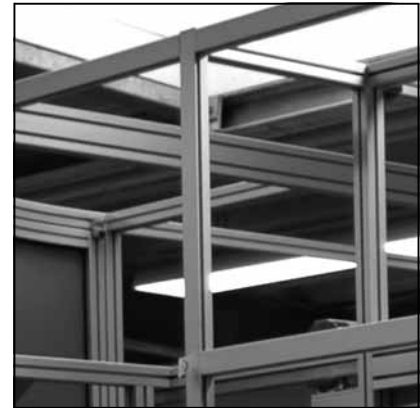
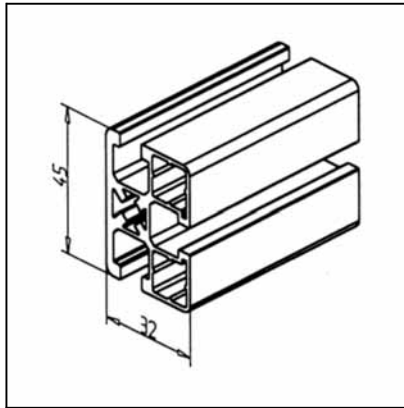
- All types of safety equipment
- For clamping surface elements such as wire mesh, panes, and plates up to a thickness of 8 mm
- Additional struts from clamping profile 45 x 32 must be used for larger safety fields to ensure sufficient protection against the surface elements pushing out; separate out covering strips for profile 45 x 32
- see page 157

ASSEMBLY

- MiniTec profile connector; no drilling required
- No cut-outs in surface elements required
- Preassemble the framework on three sides with the closed side outwards
- Insert surface element and last profile strut
- Push i distance profile on the inside or knock in with a flat tool
- Also mount appropriate seal for surface elements < 4 mm

PROFILE 45 X 32 UL

Part. N° 20.1065/0



TECHN. DATA / ITEMS SUPPLIED

- lx =	8,292 cm ⁴
- ly =	5,178 cm ⁴
- wx =	3,685 cm ³
- wy =	2,815 cm ³
- Weight	1,257 kg/m
- Length	6 m
- Packing unit	48 m

APPLICATIONS

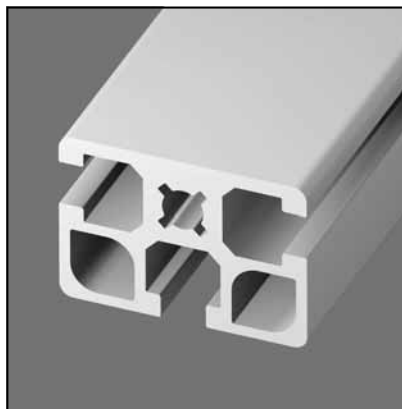
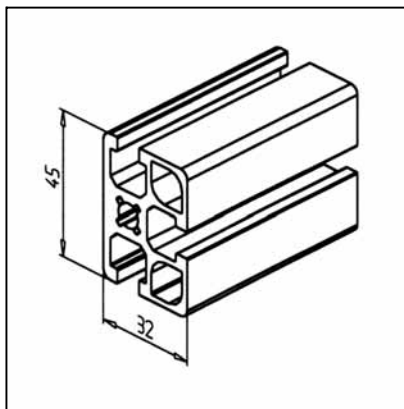
- General constructions
- Light constructions
- Tables
- Racks
- Slidin-doors

ASSEMBLY

- MiniTec power-lock fastener
- Angle 19 / 25 / 45 / 45 x 90
- Bolt-fastener 15 / 20
- Screw connection

PROFILE 45 X 32 F

Part. N° 20.1055/0



TECHN. DATA / ITEMS SUPPLIED

- lx =	10,189 cm ⁴
- ly =	6,499 cm ⁴
- wx =	4,528 cm ³
- wy =	3,762 cm ³
- Weight	1,588 kg/m
- Length	6 m
- Packing unit	48 m

APPLICATIONS

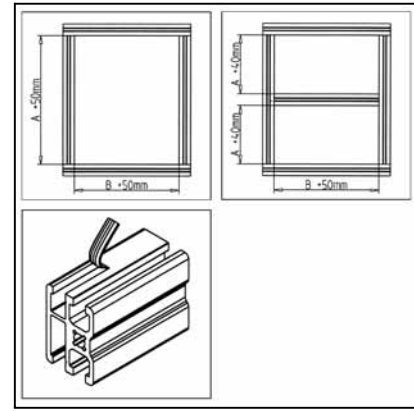
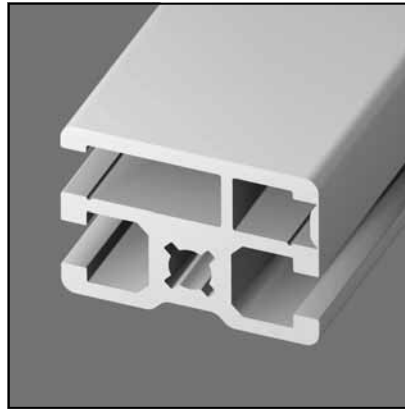
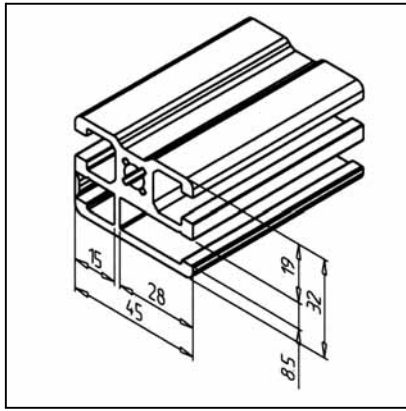
- General constructions
- Tables
- Racks
- Sliding-doors
- Rails

ASSEMBLY

- MiniTec power-lock fastener
- Angle 19 / 25 / 45 / 45 x 90
- Bolt-fastener 15 / 20
- Screw connection

CLAMP PROFILE 45 X 32

Part. N° 20.1053/0



TECHN. DATA / ITEMS SUPPLIED

- lx =	6,465 cm ⁴
- ly =	9,521 cm ⁴
- wx =	3,999 cm ³
- wy =	4,119 cm ³
- Weight	1,615 kg/m
- Length	6 m
- Packing unit	48 m

APPLICATIONS

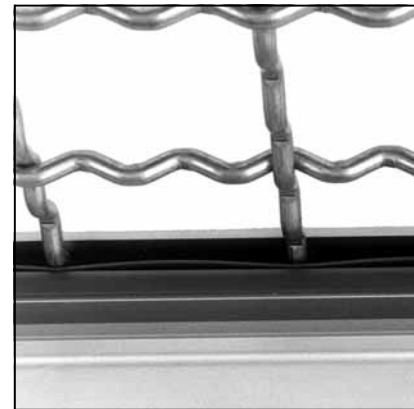
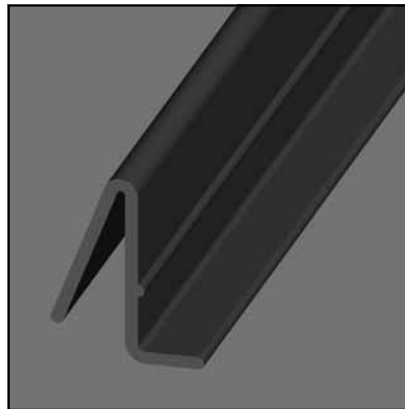
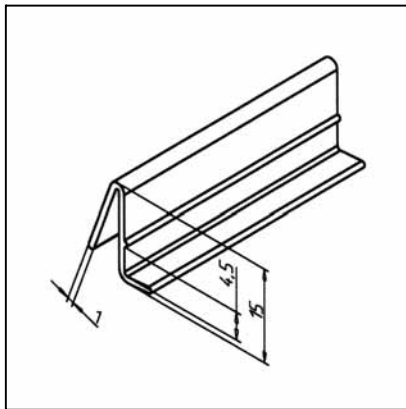
- All kinds of guard units
- Clamping of corrugated mesh or panel elements of all kinds up to 8 mm thickness
- For larger guards we propose to mount an additional brace to guarantee sufficient security
- After open the cover, the second groove is accessible
- See page 157

ASSEMBLY

- MiniTec power-lock fastener; no bores necessary
- No cut-outs in panel elements for fastening elements necessary
- Premount 3 sides of the frame, the eve side of the profile outwards
- Insert surface element and mount last profile brace
- Depress the distance profile on the inner side or hit it with a flat tool
- For panel elements < 4 mm mount an additional insert seal

DISTANCE PROFILE

Part. N° 22.1039/0



TECHN. DATA / ITEMS SUPPLIED

- ABS, gray	
- Weight	0,055 kg/m
- Length	2 m

APPLICATIONS

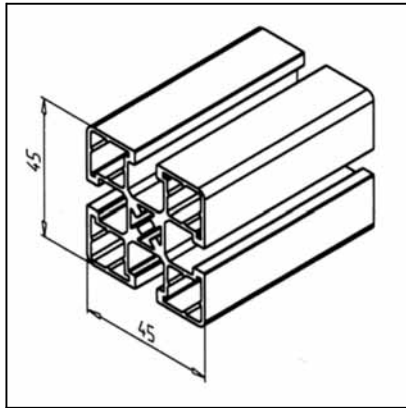
- Spacing element to use with clamp profile 45 x 32 Part N° 20.1053/0 and clamp profile 32 x 32 Part N° 20.1070/0 to fix corrugated mesh or panel elements
- Also for use with all other profiles to fix panel elements

ASSEMBLY

- Mount frame and panel elements
- Press in with suitable tool in space between panel element and clamp profile

PROFILE 45 X 45 UL

Part. N° 20.1063/0



TECHN. DATA / ITEMS SUPPLIED

- lx =	9,953 cm ⁴
- ly =	9,953 cm ⁴
- wx =	4,423 cm ³
- wy =	4,423 cm ³
- Weight	1,445 kg/m
- Length	6 m
- Packing unit	54 m

APPLICATIONS

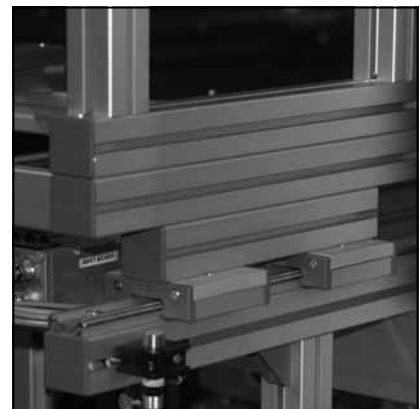
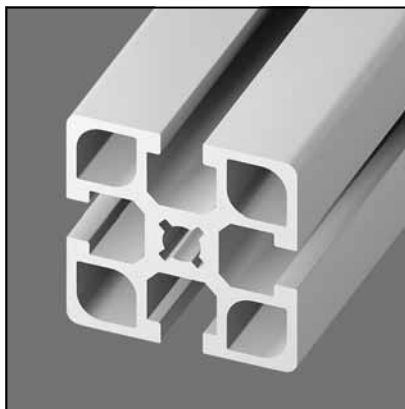
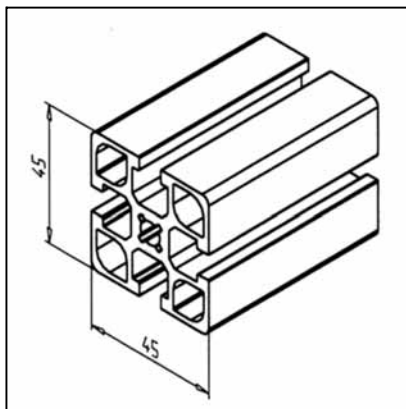
- General weight, optimized engineering structures
- General constructions

ASSEMBLY

- MiniTec power-lock fastener
- Angle 19 / 25 / 45 / 45 x 90
- Bolt-fastener 20
- Screw connection

PROFILE 45 X 45 F

Part. N° 20.1033/0



TECHN. DATA / ITEMS SUPPLIED

- lx =	14,172 cm ⁴
- ly =	14,172 cm ⁴
- wx =	6,298 cm ³
- wy =	6,298 cm ³
- Weight	2,005 kg/m
- Length	6 m
- Packing unit	36 m

APPLICATIONS

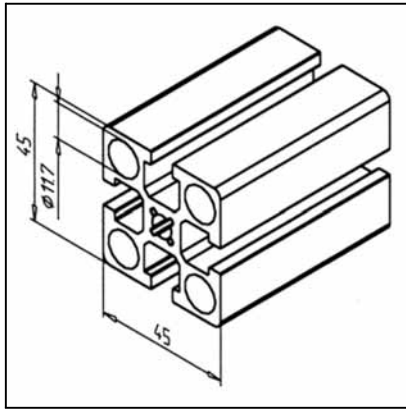
- General constructions

ASSEMBLY

- MiniTec power-lock fastener
- Angle 19 / 25 / 45 / 45 x 90
- Bolt-fastener 20
- Screw connection

PROFILE 45 X 45

Part. N° 20.1006/0



TECHN. DATA / ITEMS SUPPLIED

- lx =	15,934 cm ⁴
- ly =	15,934 cm ⁴
- wx =	7,081 cm ³
- wy =	7,081 cm ³
- Weight	2,192 kg/m
- Length	6 m
- Packing unit	36 m

APPLICATIONS

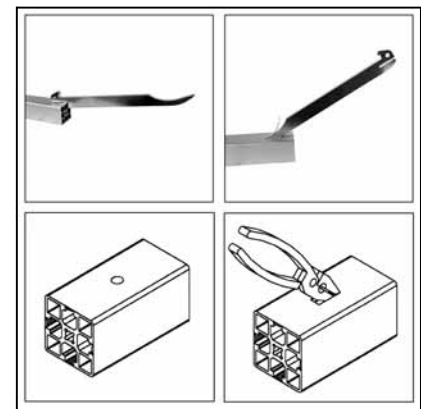
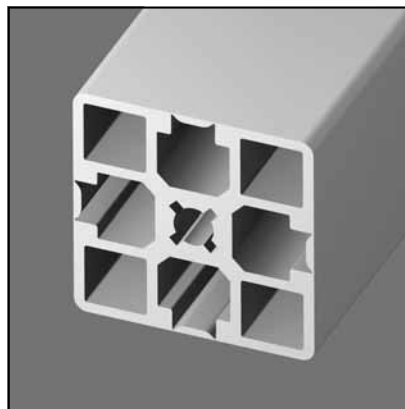
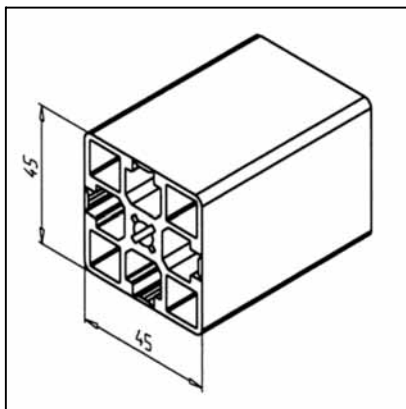
- General engineering structures
- Compressed air piping
- Linear guides

ASSEMBLY

- MiniTec power-lock fastener
- Angle 25 / 45, bolt-fastener, screw connection
- 4 bores Ø 11,7 mm reborable for G 1/4" piping thread for blanking screws or sandard pneumatic connections
- Lateral connection of pneumatic elements directly into the profile

PROFILE 45 X 45 G

Part. N° 20.1028/0



TECHN. DATA / ITEMS SUPPLIED

- lx =	14,087 cm ⁴
- ly =	14,087 cm ⁴
- wx =	6,261 cm ³
- wy =	6,261 cm ³
- Weight	1,997 kg/m
- Length	6 m
- Packing unit	36 m

APPLICATIONS

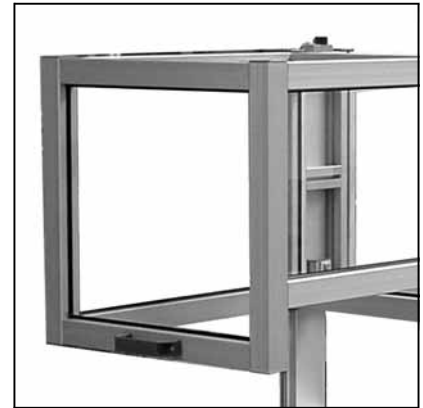
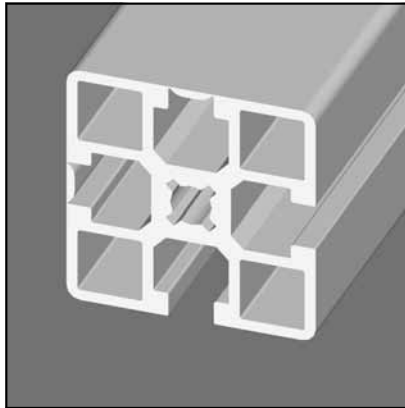
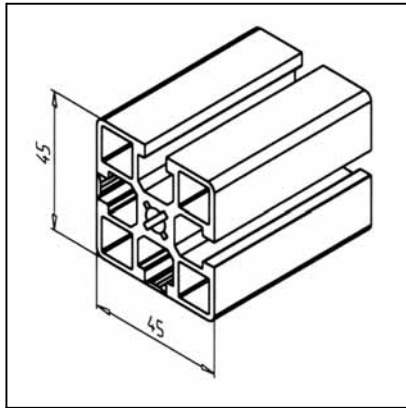
- General engineering structures, particularly for use in the food industry, in medical engineering and for the filling of beverages, where strict hygienic standards are set.
- Grooves can be closed with the aluminium cover profile L, **Part N° 20.1021/0**, when they turn out to be too big
- On request we offer silicon sealings for profile connections

ASSEMBLY

- Angle 25 / 45
- For tightening the MiniTec power-lock fastener, the groove cover must be opened by tear-off lever **Part N° 26.0815/0** at the profile end. This opening is covered by means of the cover plate G **Part N° 22.1056/0**
- The grooves can be opened up to any length with the groove opener **Part N° 26.0815/0**

PROFILE 45 X 45 2G

Part. N° 20.1072/0

**TECHN. DATA / ITEMS SUPPLIED**

- lx =	13,549 cm ⁴
- ly =	13,549 cm ⁴
- wx =	5,938 cm ³
- wy =	5,938 cm ³
- Weight	1,925 kg/m
- Length	6 m
- Packing unit	36 m

APPLICATIONS

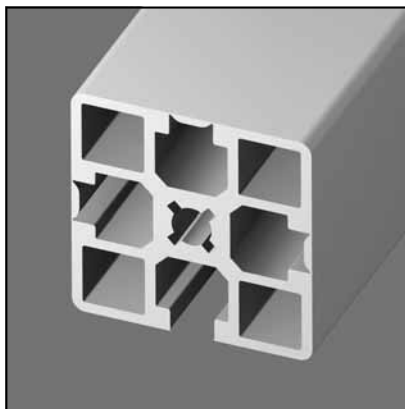
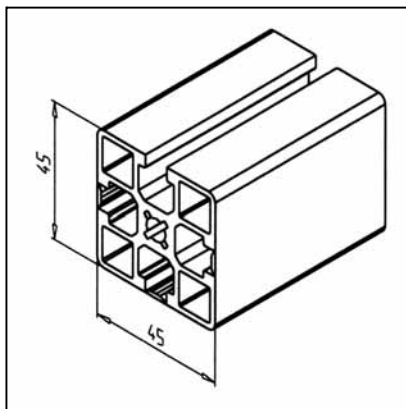
- General engineering structures, particularly for use in the food industry, in medical engineering and for the filling of beverages, where strict hygienic standards are set
- Grooves can be closed with the aluminium cover profile L, **Part N° 20.1021/0**
- On request we offer silicon sealings for profile connections

ASSEMBLY

- Angle 25 / 45
- MiniTec power-lock fastener
- For tightening the power-lock fastener, the groove cover must be opened by 30-33 mm at the profile end. This opening is covered by means of the cover plate G **Part N° 22.1056/0**

PROFILE 45 X 45 3G

Part. N° 20.1048/0

**TECHN. DATA / ITEMS SUPPLIED**

- lx =	13,554 cm ⁴
- ly =	14,049 cm ⁴
- wx =	5,941 cm ³
- wy =	6,244 cm ³
- Weight	1,952 kg/m
- Length	6 m
- Packing unit	36 m

APPLICATIONS

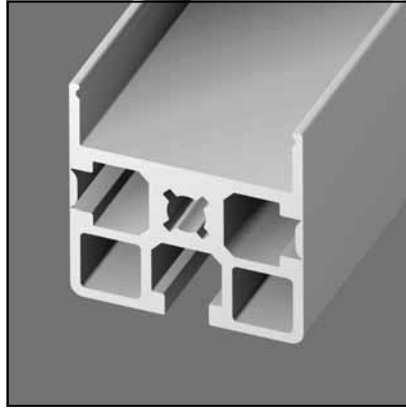
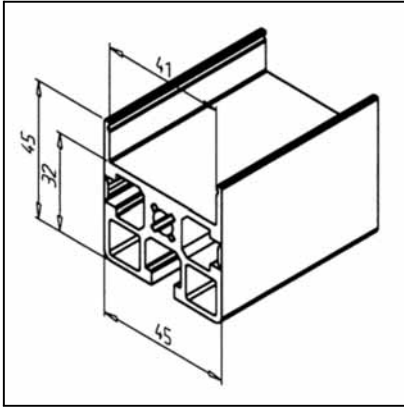
- General engineering structures, particularly for use in the food industry, in medical engineering and for the filling of beverages, where strict hygienic standards are set
- Grooves can be closed with the aluminium cover profile L, **Part N° 20.1021/0**
- On request we offer silicon sealings for profile connections

ASSEMBLY

- Angle 25 / 45
- For tightening the MiniTec power-lock fastener, the groove cover must be opened by 30-33 mm at the profile end. This opening is covered by means of the cover plate G **Part N° 22.1056/0**
- The grooves can be opened up to any length with the groove opener **Part N° 26.0815/0**

PROFILE 45 X 45 R

Part. N° 20.1046/0



TECHN. DATA / ITEMS SUPPLIED

APPLICATIONS

ASSEMBLY

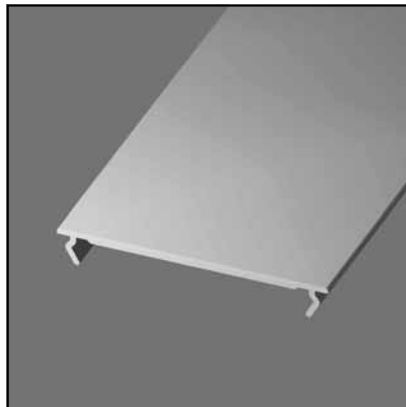
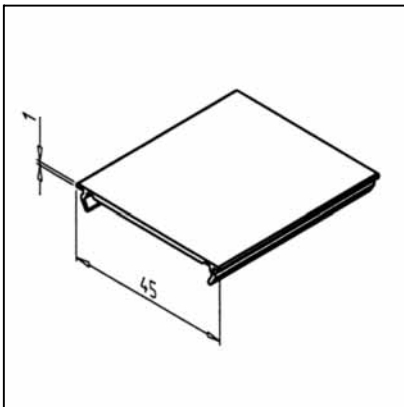
- Ix =	8,296 cm ⁴
- Iy =	12,997 cm ⁴
- wx =	3,247 cm ³
- wy =	5,776 cm ³
- Weight	1,711 kg/m
- Length	6 m
- Packing unit	36 m

- Combination of constructional element and:
- Cable duct
- Guiding groove for belt conveyor
- Place of deposit
- Guide for cable chain

- MiniTec power-lock fastener
- The lateral grooves can be opened up to any length with the groove opener **Part N° 26.0815/0**

COVER 45 X 45 R

Part. N° 20.1037/0



TECHN. DATA / ITEMS SUPPLIED

APPLICATIONS

ASSEMBLY

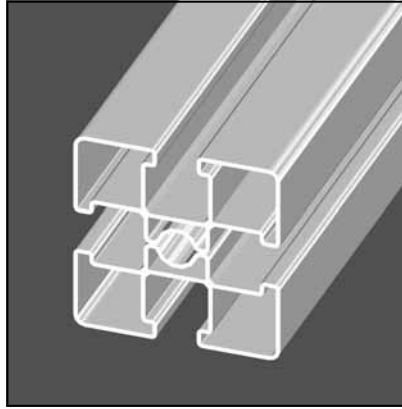
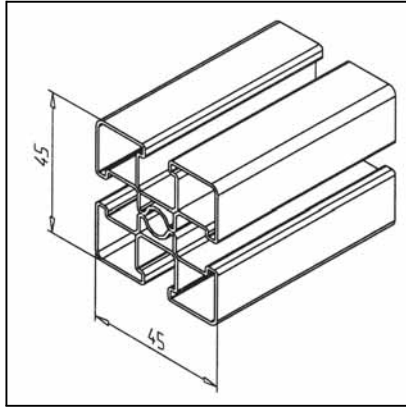
- PVC impact resistant, grey	
- Weight	0,110 kg/m
- Length	2 m

- Covering of profiles 45 x 45 R

- Cover is fastened by clipping

PROFILE 45 X 45 VA

Part. N° 20.2000/0



TECHN. DATA / ITEMS SUPPLIED

- Material:	WN DIN 1.4301 (X5 CrNi 18-10, SUS 304)
- Modulus of elasticity:	200000N/mm ²
- Ix / Iy	6,47 cm ⁴
- Wx / Wy	2,88 cm ³
- Weight:	2,759 kg/m
- Length:	6 m

APPLICATIONS

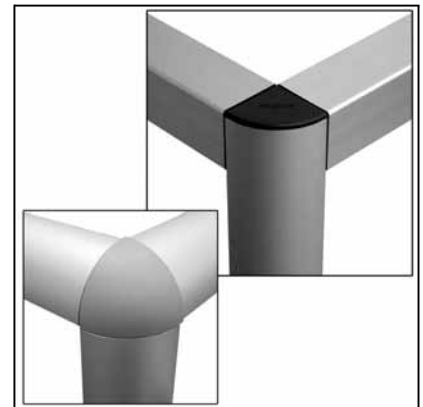
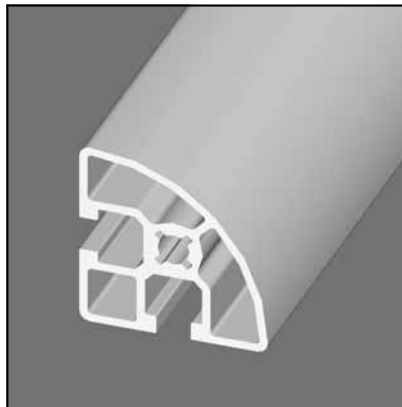
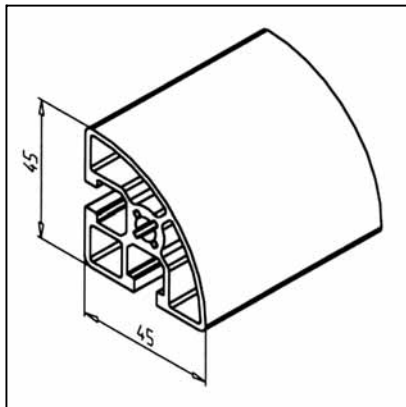
- Drinks- and beverage food Industry
- Outdoor constructions
- Chemical industry
- Pharmaceutical industry
- High temperatures

ASSEMBLY

- Power lock fastener H
- Angles
- Screws M8, stainless
- End cap 45 x 45 VA Part N° 22.1067/5, see page 63
- Foot VA Part N° 21.1865/0, see page 140

PROFILE 45 R 90°

Part. N° 20.1069/0



TECHN. DATA / ITEMS SUPPLIED

- Ix =	9,123 cm ⁴
- Iy =	9,123 cm ⁴
- wx =	3,574 cm ³
- wy =	3,574 cm ³
- Weight	1,478 kg/m
- Length	6 m
- Packing unit	48 m

APPLICATIONS

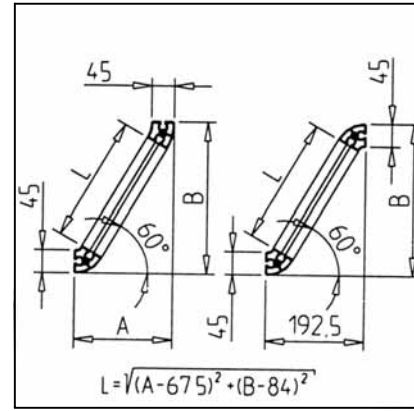
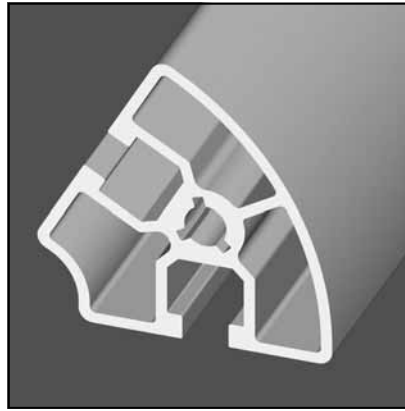
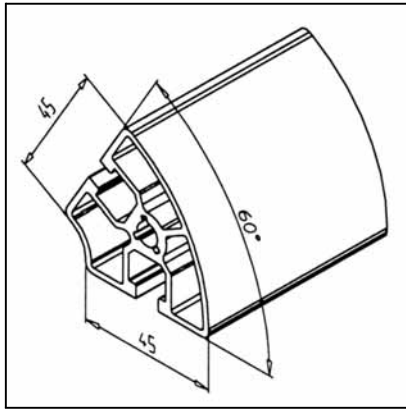
- Light construction
- Tables
- Racks
- Framework constructions

ASSEMBLY

- MiniTec power-lock fastener
- Angle 45 R 90°
- Bolt-fastener
- Angle 45 / 90

PROFILE 45 R 60°

Part. N° 20.1096/0



TECHN. DATA / ITEMS SUPPLIED

- Ix =	11,446 cm ⁴
- Iy =	10,280 cm ⁴
- wx =	3,667 cm ³
- wy =	3,752 cm ³
- Weight	1,575 kg/m
- Length	6 m
- Packing unit	48 m

APPLICATIONS

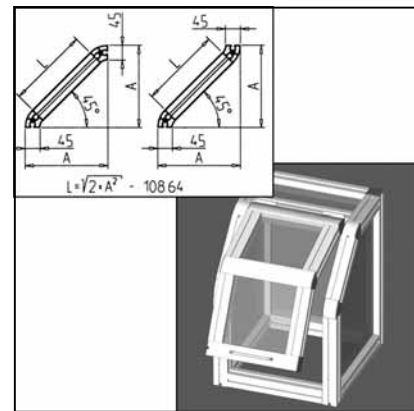
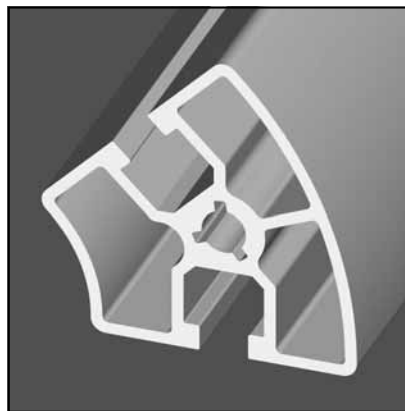
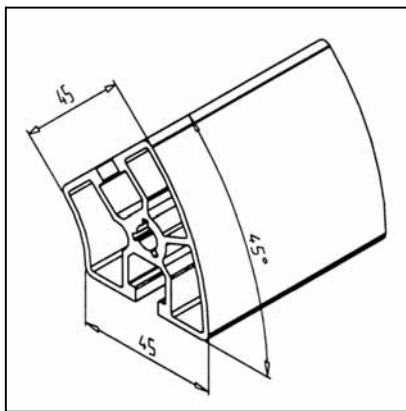
- Cover with angle
- Posts for protection fields

ASSEMBLY

- MiniTec power-lock fastener
- Bolt-fastener
- Angle 45 / 90

PROFILE 45 R 45°

Part. N° 20.1095/0



TECHN. DATA / ITEMS SUPPLIED

- Ix =	12,457 cm ⁴
- Iy =	11,296 cm ⁴
- wx =	3,976 cm ³
- wy =	3,837 cm ³
- Weight	1,607 kg/m
- Length	6 m
- Packing unit	48 m

APPLICATIONS

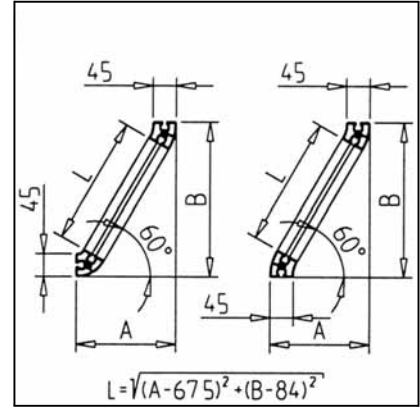
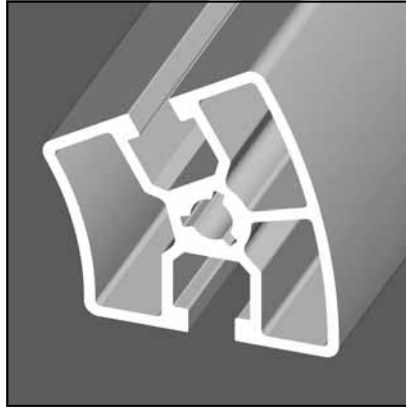
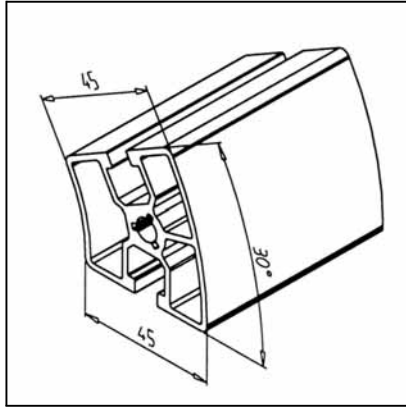
- Cover with angle
- Posts for protection fields

ASSEMBLY

- MiniTec power-lock fastener
- Bolt-fastener
- Angle 45 / 90

PROFILE 45 R 30°

Part. N° 20.1094/0



TECHN. DATA / ITEMS SUPPLIED

- lx =	12,138 cm ⁴
- ly =	11,006 cm ⁴
- wx =	4,018 cm ³
- wy =	3,883 cm ³
- Weight	1,626 kg/m
- Length	6 m
- Packing unit	48 m

APPLICATIONS

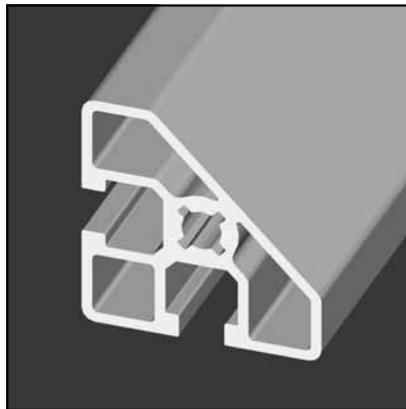
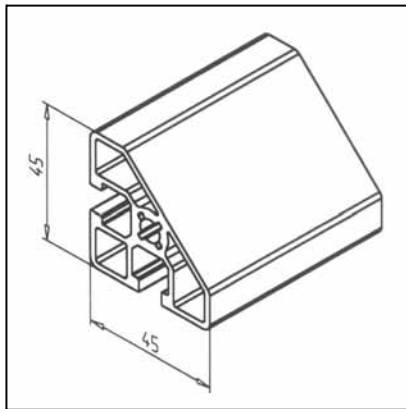
- Cover with angle
- Posts for protection fields

ASSEMBLY

- MiniTec power-lock fastener
- Bolt-fastener
- Angle 45 / 90

PROFILE 45/45°

Part. N° 20.1029/0



TECHN. DATA / ITEMS SUPPLIED

- lx =	8,626 cm ⁴
- ly =	8,626 cm ⁴
- wx =	3,315 cm ³
- wy =	3,315 cm ³
- Weight	1,533 kg/m
- Length	6 m
- Packing unit	48 m

APPLICATIONS

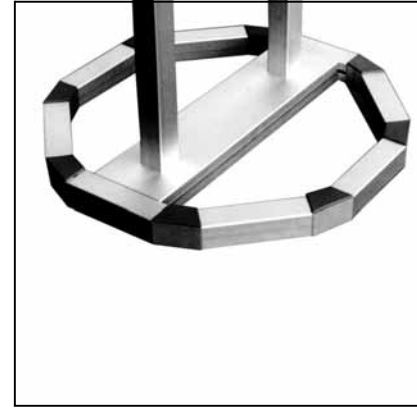
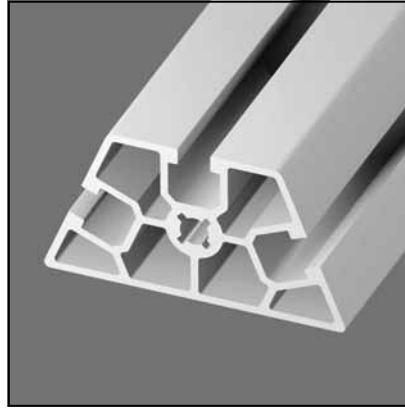
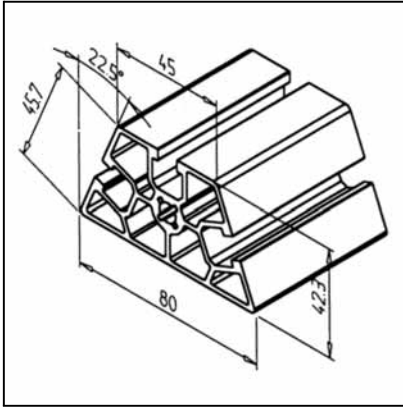
- Light construction
- Tables
- Framework constructions

ASSEMBLY

- MiniTec power-lock fastener
- Angle 45 R 90°
- Bolt-fastener
- Angle 45 / 90
- Bolt-fastener

PROFILE 45/22,5°

Part. N° 20.1030/0



TECHN. DATA / ITEMS SUPPLIED

- lx =	14,506 cm ⁴
- ly =	33,432 cm ⁴
- wx =	7,934 cm ³
- wy =	8,515 cm ³
- Weight	2,225 kg/m
- Length	6 m
- Packing unit	36 m

APPLICATIONS

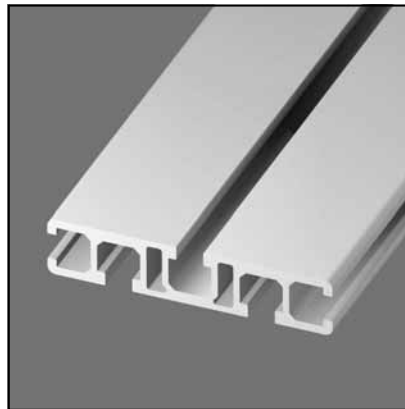
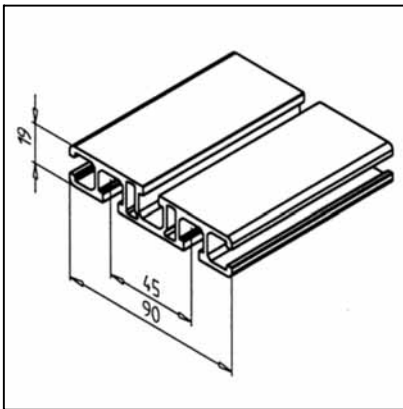
- Guards
- Tables
- Connection of construction elements at an angle of 45°

ASSEMBLY

- MiniTec power-lock fastener
- Mounting angle
- Bolt-fastener

PROFILE 90 X 19

Part. N° 20.1031/0



TECHN. DATA / ITEMS SUPPLIED

- lx =	3,316 cm ⁴
- ly =	44,948 cm ⁴
- wx =	3,345 cm ³
- wy =	9,988 cm ³
- Weight	1,820 kg/m
- Length	6 m
- Packing unit	48 m

APPLICATIONS

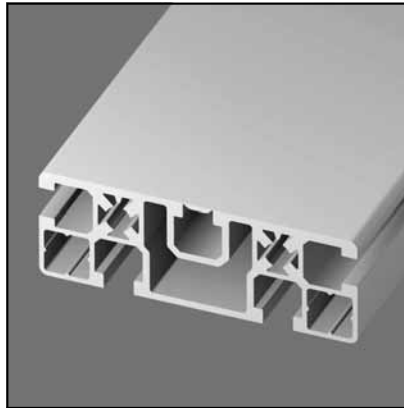
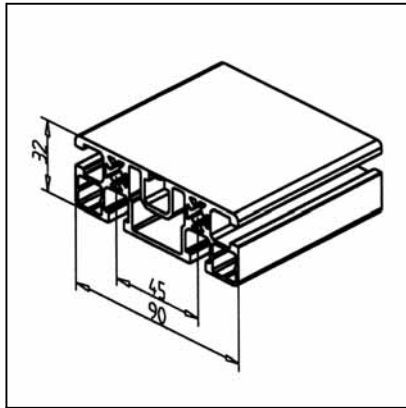
- Bearing plates
- Bearing surfaces
- Slide plate for linear guide
- Plates for floor fastening
- Framework constructions

ASSEMBLY

- Bolt-fastener
- Mounting angle

PROFILE 90 X 32 UL

Part. N° 20.1066/0



TECHN. DATA / ITEMS SUPPLIED

- lx =	10,627 cm ⁴
- ly =	64,889 cm ⁴
- wx =	5,832 cm ³
- wy =	14,340 cm ³
- Weight	2,464 kg/m
- Length	6 m
- Packing unit	36 m

APPLICATIONS

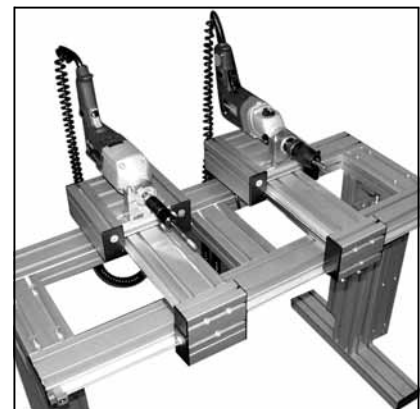
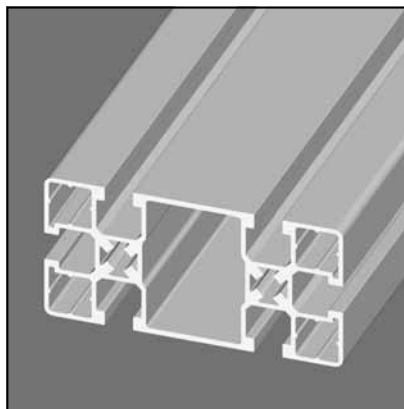
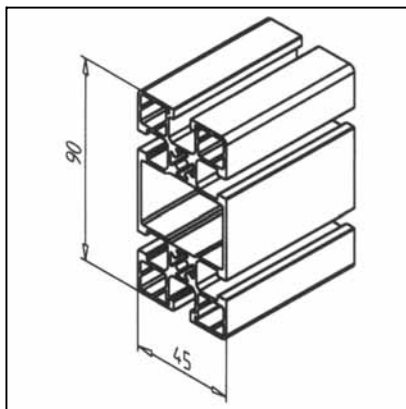
- General constructions
- General weight, optimized engineering structures
- Tables
- Racks
- Guards

ASSEMBLY

- MiniTec power-lock fastener
- Cross bolt fastener
- Mounting angle
- Screw connector
- The groove on top can be opened at any length by means th groove opener Part N° 26.0815/0

PROFILE 45 X 90 UL

Part. N° 20.1067/0



TECHN. DATA / ITEMS SUPPLIED

- lx =	73,921 cm ⁴
- ly =	19,2 cm ⁴
- wx =	16,427 cm ³
- wy =	8,530 cm ³
- Weight	2,421 kg/m
- Length	6 m
- Packing unit	24 m

APPLICATIONS

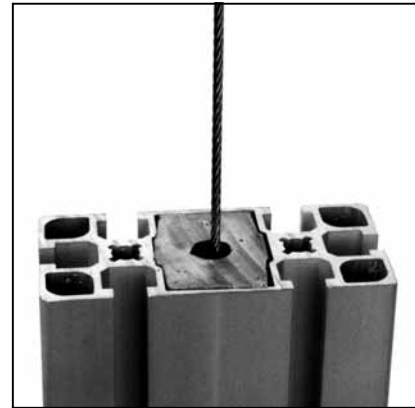
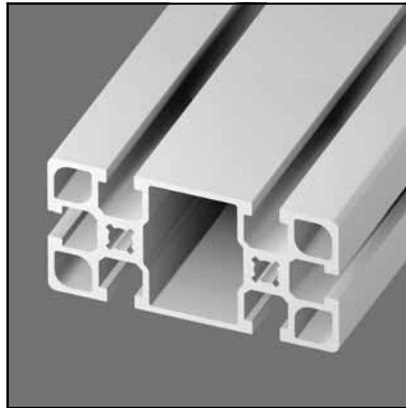
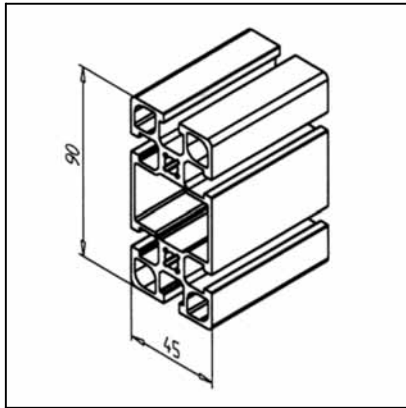
- General weight, optimized engineering structures
- Counterweighted sliding-doors and devices

ASSEMBLY

- MiniTec power-lock fastener
- Angle 19 / 25 / 45 / 45 x 90
- Bolt-fastener
- Screw connection

PROFILE 45 X 90 F

Part. N° 20.1032/0



TECHN. DATA / ITEMS SUPPLIED

- Ix =	100,988 cm ⁴
- Iy =	24,340 cm ⁴
- wx =	22,441 cm ³
- wy =	10,818 cm ³
- Weight	3,134 kg/m
- Length	6 m
- Packing unit	24 m

APPLICATIONS

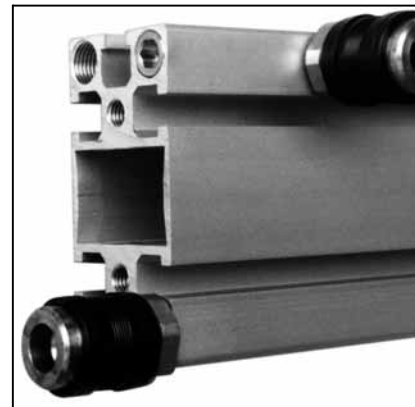
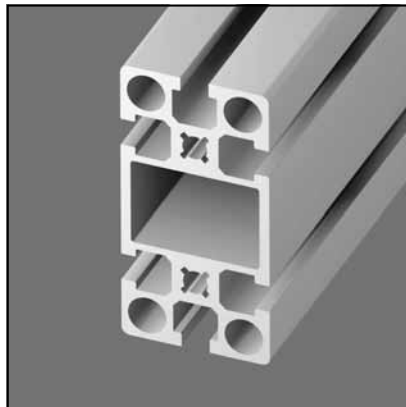
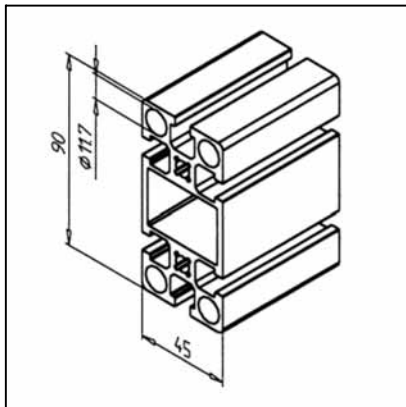
- General constructions
- Counterweighted sliding-doors and devices

ASSEMBLY

- MiniTec power-lock fastener
- Angle 19 / 25 / 45 / 45 x 90
- Bolt-fastener

PROFILE 45 X 90

Part. N° 20.1009/0



TECHN. DATA / ITEMS SUPPLIED

- Ix =	113,205 cm ⁴
- Iy =	28,584 cm ⁴
- wx =	25,156 cm ³
- wy =	12,704 cm ³
- Weight	3,667 kg/m
- Length	6 m
- Packing unit	24 m

APPLICATIONS

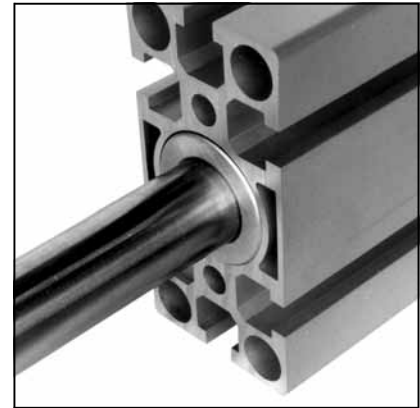
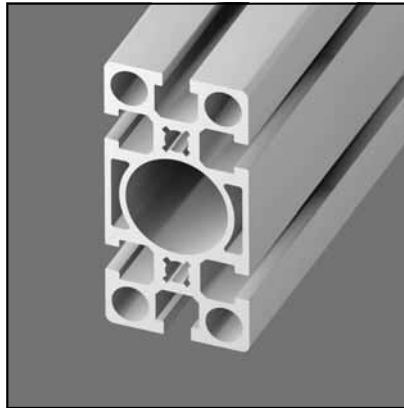
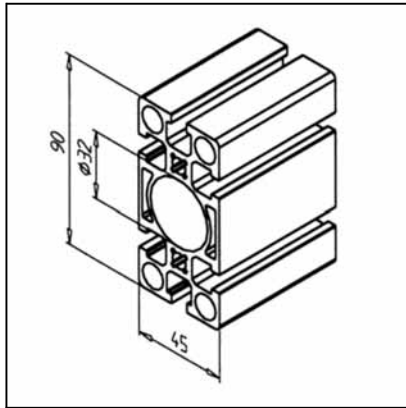
- Universal for general heavy duty construction
- Four cavities for compressed air piping
- Cavity is not suitable for counterweights

ASSEMBLY

- MiniTec power-lock fastener
- Angle 25 / 45 / 90
- Bolt-fastener
- Bores Ø 11,7 mm reborable for piping thread G 1/4" for connection of blanking screws or pneumatic elements
- Lateral connections G 1/8" direct into the profile. Wider connecting-bores by use of pneumatic adapting plate

PROFILE 45 X 90 S

Part. N° 20.1017/0



TECHN. DATA / ITEMS SUPPLIED

- lx =	113,487 cm ⁴
- ly =	30,719 cm ⁴
- wx =	25,219 cm ³
- wy =	13,653 cm ³
- Weight	3,860 kg/m
- Length	6 m
- Packing unit	24 m

APPLICATIONS

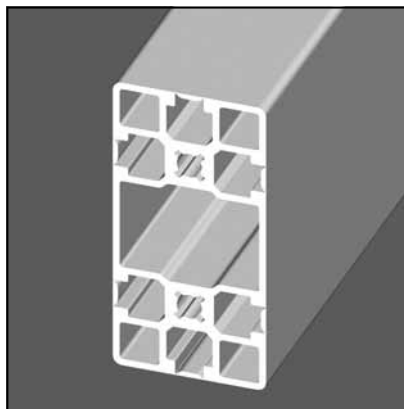
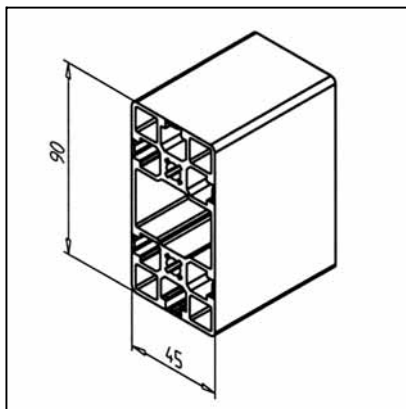
- Universal for general heavy duty constructios
- Linear guides LB
- Linear-guides
- 5 carities for pressed air piping
- Central bore Ø 32 mm for ball-bushings LME 20, for ball-bearings 6201 or 6002, for compressed air piping or guiding of hydraulic add-in cylinders

ASSEMBLY

- MiniTec power-lock fastener
- Cross bolt-fastener
- Angle 45 / 90
- Screw connection

PROFILE 45 X 90 G

Part. N° 20.1015/0



TECHN. DATA / ITEMS SUPPLIED

- lx =	101,241 cm ⁴
- ly =	25,318 cm ⁴
- wx =	22,498 cm ³
- wy =	11,252 cm ³
- Weight	3,191 kg/m
- Length	6 m
- Packing unit	24 m

APPLICATIONS

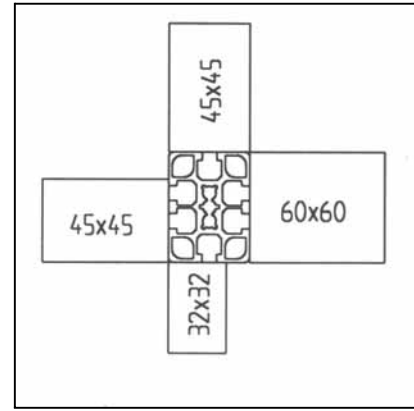
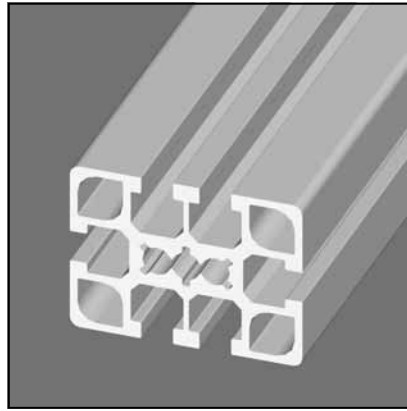
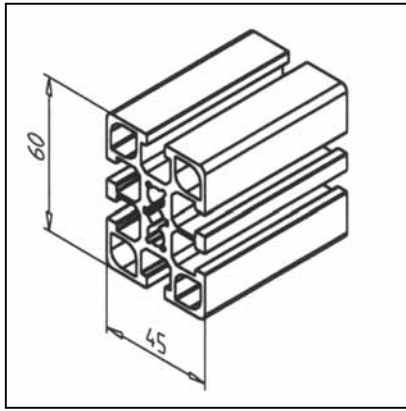
- General engineering structures, particularly for use in the food industry, in medical engineering and for the filling of beverages, where strict hygienic standards are set
- Guidance of inner counterweights in central cavity

ASSEMBLY

- MiniTec power-lock fastener
- All 6 grooves can be opened up to the length desired
- For series production the groove cover be removed easily and without burr by means of a groove opener **Part N° 26.0815/0**

PROFILE 45 X 60 F

Part. N° 20.1023/0



TECHN. DATA / ITEMS SUPPLIED

- Ix =	32,068 cm ⁴
- Iy =	17,587 cm ⁴
- wx =	14,232 cm ³
- wy =	5,856 cm ³
- Weight	2,603 kg/m
- Length	6 m
- Packing unit	24 m

APPLICATIONS

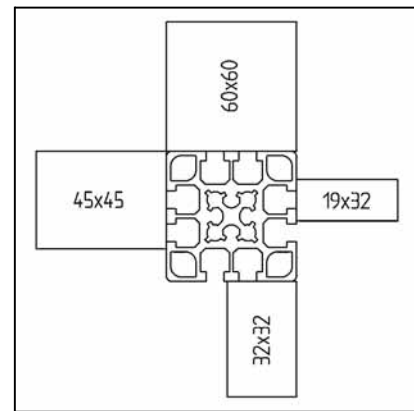
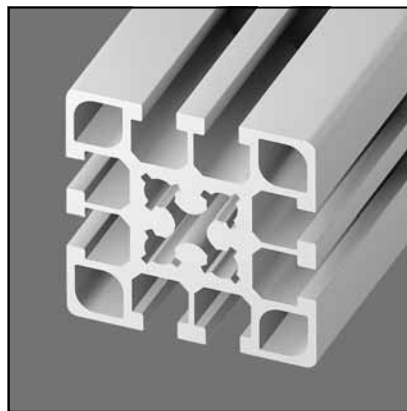
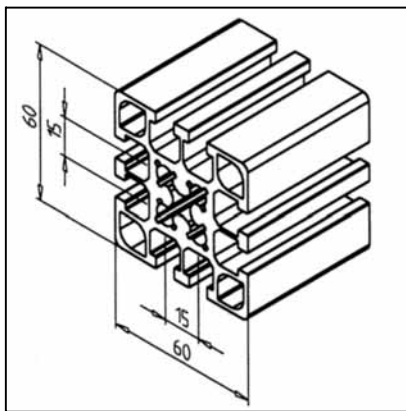
- Universal for general constructions
- Corner post in large guard units
- Compatible with all system profiles

ASSEMBLY

- MiniTec power-lock fastener
- Angle 19 / 25 / 45 / 45 x 90
- Central boring for thread M8

PROFILE 60 X 60 F

Part. N° 20.1049/0



TECHN. DATA / ITEMS SUPPLIED

- Ix =	40,715 cm ⁴
- Iy =	40,715 cm ⁴
- wx =	13,571 cm ³
- wy =	13,571 cm ³
- Weight	3,655 kg/m
- Length	6 m
- Packing unit	24 m

APPLICATIONS

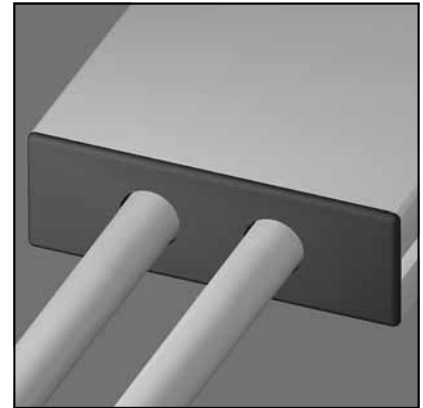
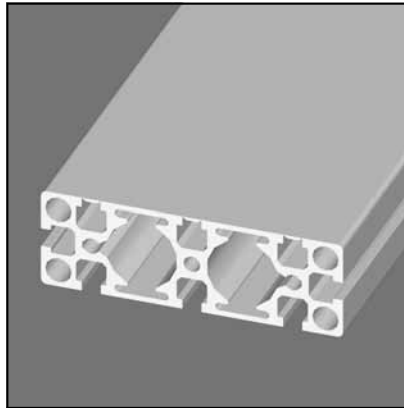
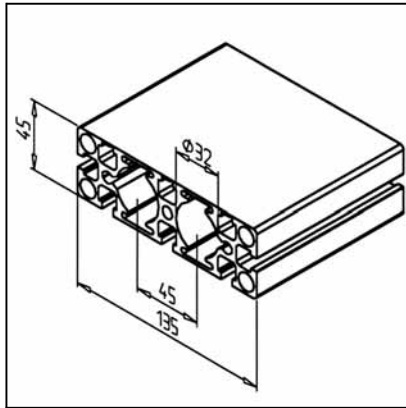
- Universal for general constructions
- Corner post in large guard units
- Compatible with all system profiles

ASSEMBLY

- MiniTec power-lock fastener
- Angle 19 / 25 / 45 / 45 x 90
- Central boring for thread M10

PROFILE 45 X 135 1G

Part. N° 20.1078/0



TECHN. DATA / ITEMS SUPPLIED

- lx =	359,242 cm ⁴
- ly =	47,064 cm ⁴
- wx =	20,618 cm ³
- wy =	53,221 cm ³
- Weight	5,570 kg/m
- Length	6 m
- Packing unit	12 m

APPLICATIONS

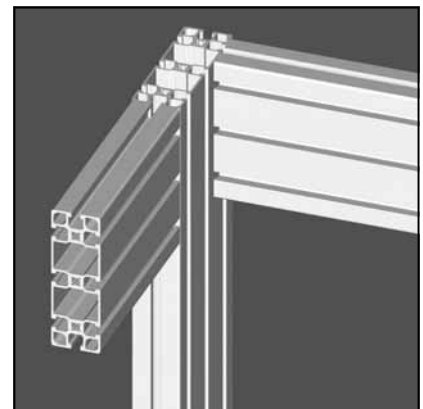
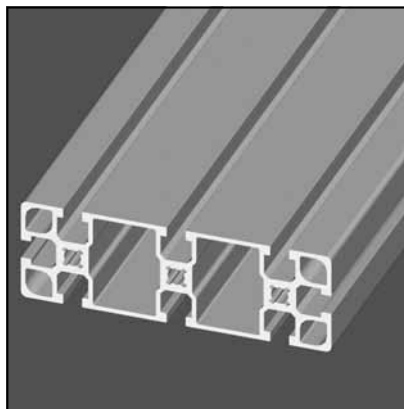
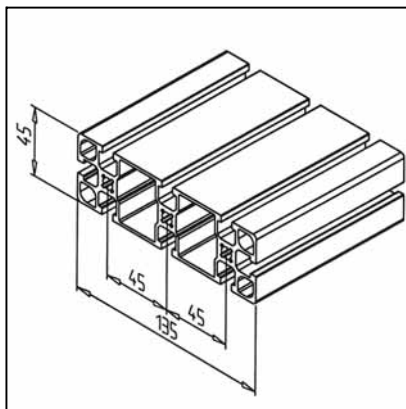
- General engineering structures, particularly for use in the food industry, in medical engineering and for the filling of beverages, where strict hygienic standards are set
- Linear guiding
- Central bore Ø 32 mm for ball-bushings LME 20, for ball-bearings 6201 or 6002, for compressed air piping or guiding of hydraulic dd-in cylinders

ASSEMBLY

- MiniTec power-lock fastener
- 3 closed grooves can be opened up to the desired length, by means of the tear-off lever Part N° 26.0815/0

PROFILE 45 X 135 F

Part. N° 20.1087/0



TECHN. DATA / ITEMS SUPPLIED

- lx =	34,958 cm ⁴
- ly =	34,658 cm ⁴
- wx =	15,537 cm ³
- wy =	45,609 cm ³
- Weight	4,319 kg/m
- Length	6 m
- Packing unit	12 m

APPLICATIONS

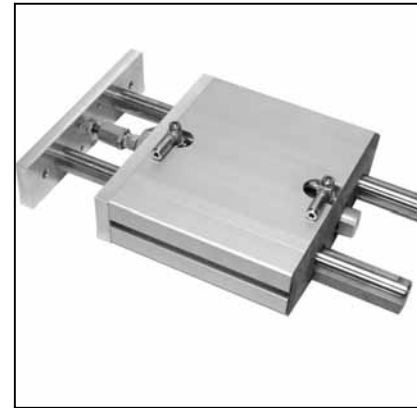
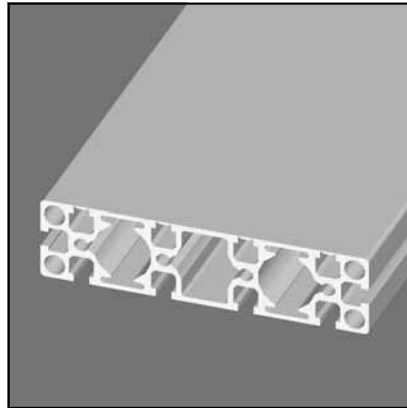
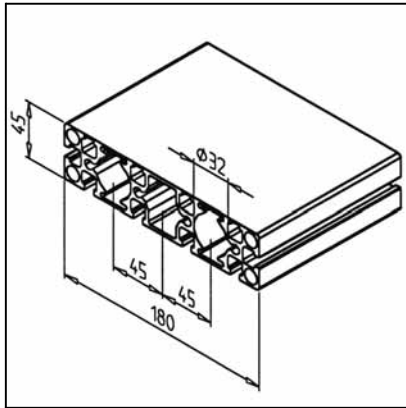
- General constructions
- Counterweighted sliding-doors and devices

ASSEMBLY

- MiniTec power-lock fastener
- Angle 19 / 25 / 45 / 45 x 90
- Bolt fastener

PROFILE 45 X 180 1G

Part. N° 20.1079/0



TECHN. DATA / ITEMS SUPPLIED

- Ix =	810,885 cm ⁴
- Iy =	61,015 cm ⁴
- wx =	90,097 cm ³
- wy =	26,704 cm ³
- Weight	6,954 kg/m
- Length	6 m
- Packing unit	12 m

APPLICATIONS

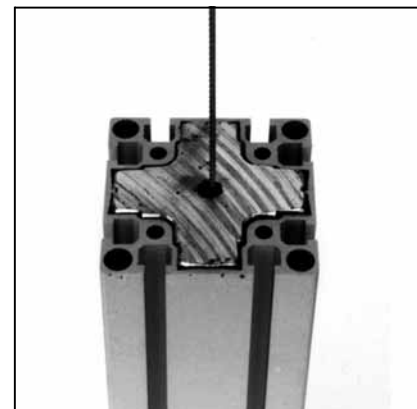
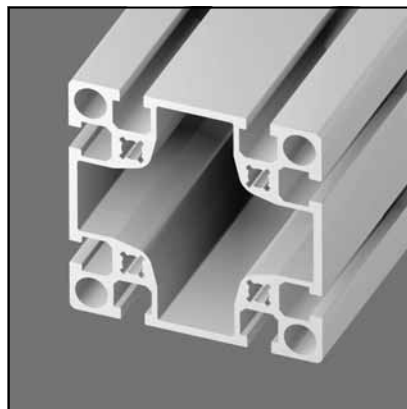
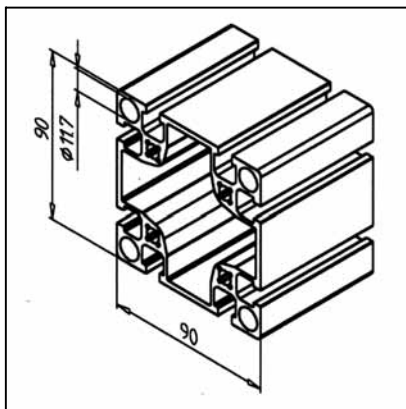
- General engineering structures, particularly for use in the food industry, in medical engineering and for the filling of beverages, where strict hygienic standards are set
- Linear guiding
- Central bore Ø 32 mm for ball-bushings LME 20, for ball-bearings 6201 or 6002, for compressed air piping or guiding of hydraulic dd-in cylinders

ASSEMBLY

- MiniTec power-lock fastener
- 4 closed grooves can be opened up to the desired length, by means of the tear-off lever **Part N° 26.0815/0**

PROFILE 90 X 90 L

Part. N° 20.1010/0



TECHN. DATA / ITEMS SUPPLIED

- Ix =	186,260 cm ⁴
- Iy =	186,260 cm ⁴
- wx =	41,391 cm ³
- wy =	41,391 cm ³
- Weight	5,222 kg/m
- Length	6 m
- Packing unit	12 m

APPLICATIONS

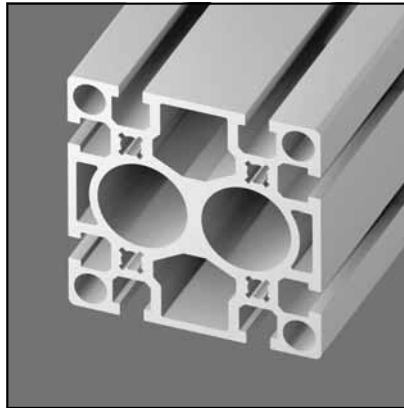
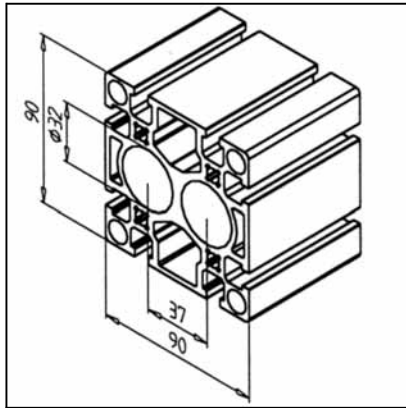
- General heavy duty applications
- The central cavity is constructed for guiding counterweights

ASSEMBLY

- MiniTec power-lock fastener
- Angel 45 or 90
- Screw connection
- Bolt fastener

PROFILE 90 X 90 S

Part. N° 20.1019/0



TECHN. DATA / ITEMS SUPPLIED

- lx =	223,949 cm ⁴
- ly =	208,888 cm ⁴
- wx =	49,766 cm ³
- wy =	46,419 cm ³
- Weight	7,514 kg/m
- Length	6 m
- Packing unit	12 m

APPLICATIONS

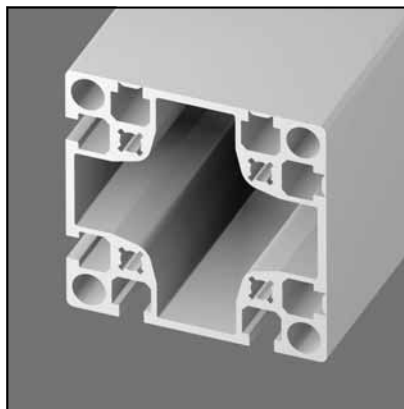
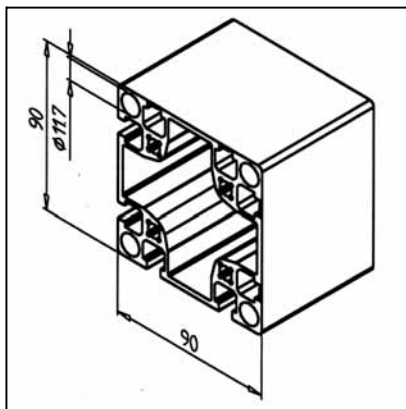
- Universal for general heavy duty constructions
- Linear guiding
- Central bore Ø 32 mm for ball-bushings LME 20, for ball-bearings 6201 or 6002, for compressed air piping or guiding of hydraulic dd-in cylinders

ASSEMBLY

- MiniTec power-lock fastener
- Angle 45 or 90
- Screw connection

PROFILE 90 X 90 2G

Part. N° 20.1044/0



TECHN. DATA / ITEMS SUPPLIED

- lx =	191,320 cm ⁴
- ly =	191,324 cm ⁴
- wx =	42,083 cm ³
- wy =	42,084 cm ³
- Weight	5,623 kg/m
- Length	6 m
- Packing unit	12 m

APPLICATIONS

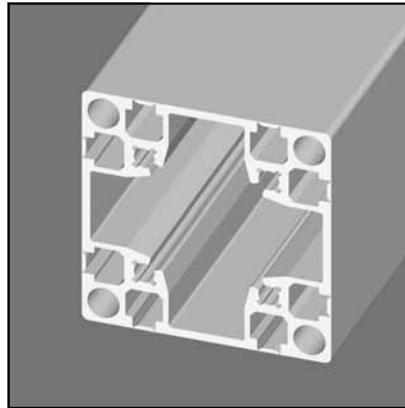
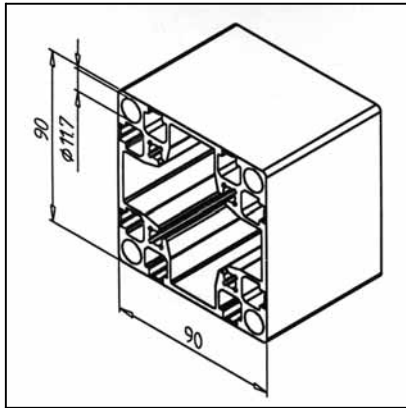
- Grooves can be teared off
- General engineering structures, partulary for use in the food industry, in medical engineering and for the filling of beverages, where strict hygienic standards are set
- The central cavity is constructed for guiding counterweights

ASSEMBLY

- MiniTec power-lock fastener
- 4 closed grooves can be opened up to the desired length, by means of the tear-off lever **Part N° 26.0815/0**

PROFILE 90 X 90 G

Part. N° 20.1082/0



TECHN. DATA / ITEMS SUPPLIED

APPLICATIONS

ASSEMBLY

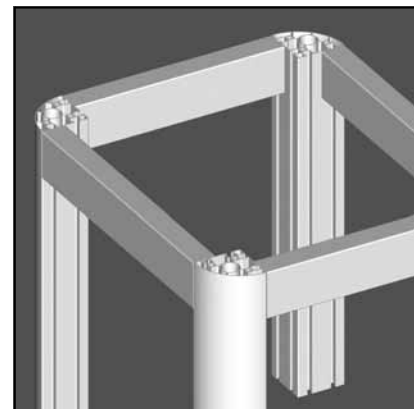
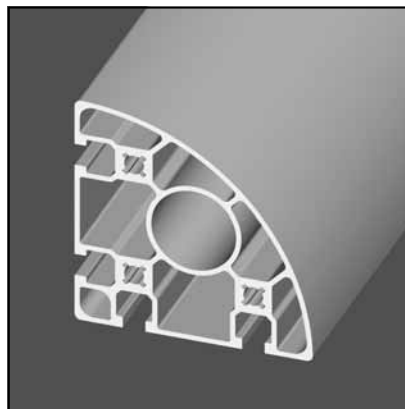
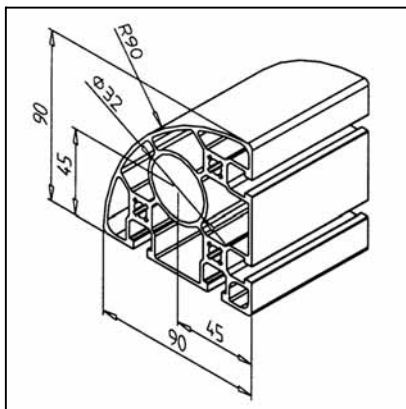
- lx =	195,271 cm ⁴
- ly =	195,271 cm ⁴
- wx =	43,393 cm ³
- wy =	43,393 cm ³
- Weight	5,329 kg/m
- Length	6 m
- Packing unit	12 m

- Grooves can be teared off
- General engineering structures, particularly for use in the food industry, in medical engineering and for the filling of beverages, where strict hygienic standards are set
- The central cavity is constructed for guiding counterweights

- MiniTec power-lock fastener
- 8 closed grooves can be opened up to the desired length, by means of the tear-off lever **Part N° 26.0815/0**

PROFILE 90 R 90°

Part. N° 20.1091/0



TECHN. DATA / ITEMS SUPPLIED

APPLICATIONS

ASSEMBLY

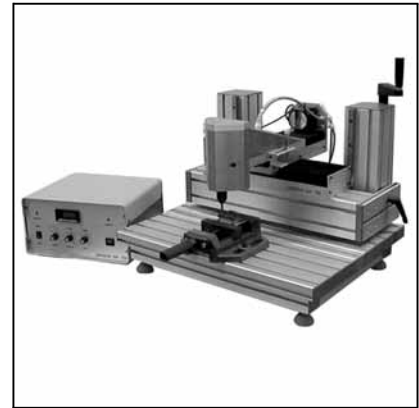
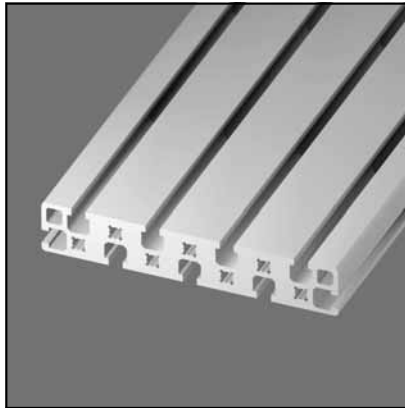
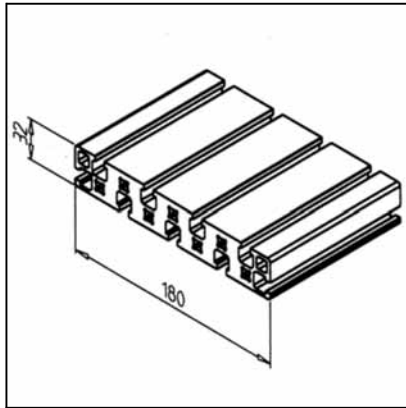
- lx =	113,389 cm ⁴
- ly =	113,389 cm ⁴
- wx =	21,874 cm ³
- wy =	21,874 cm ³
- Weight	4,265 kg/m
- Length	6 m
- Packing unit	12 m

- Assembly
- General constructions

- MiniTec power-lock fastener
- Angle
- Cross bolt fastener
- Bolt fastener
- End cap, **Part. N° 22.1021/1**
- Base and transport plate M10 - M20

PROFILE 32 X 180

Part. N° 20.1016/0



TECHN. DATA / ITEMS SUPPLIED

- lx =	33,804 cm ⁴
- ly =	843,825 cm ⁴
- wx =	21,068 cm ³
- wy =	93,758 cm ³
- Weight	9,539 kg/m
- Length	6 m
- Packing unit	6 m

APPLICATIONS

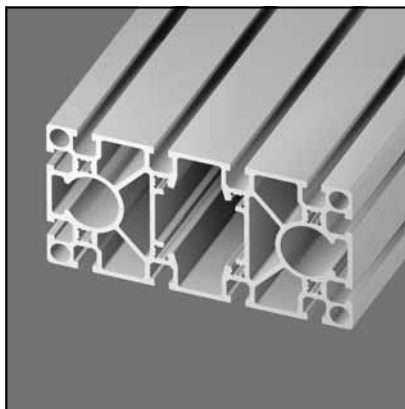
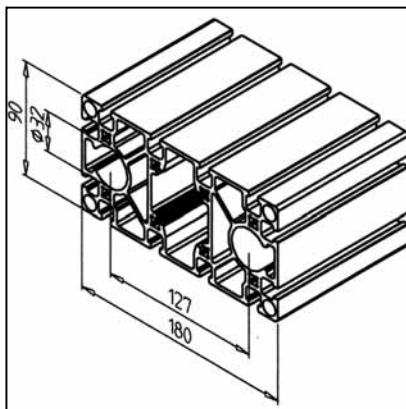
- Slides for MiniTec- linear system LR
- Clamping surfaces
- Bottom-plates
- Heavy duty constructions

ASSEMBLY

- MiniTec power-lock fastener
- Cross bolt-fastener
- Angle 45 or 90
- Screw connection

PROFILE 90 X 180 S

Part. N° 20.1013/0



TECHN. DATA / ITEMS SUPPLIED

- lx =	1421,865 cm ⁴
- ly =	376,784 cm ⁴
- wx =	157,983 cm ³
- wy =	83,729 cm ³
- Weight	11,482 kg/m
- Length	6 m
- Packing unit	6 m

APPLICATIONS

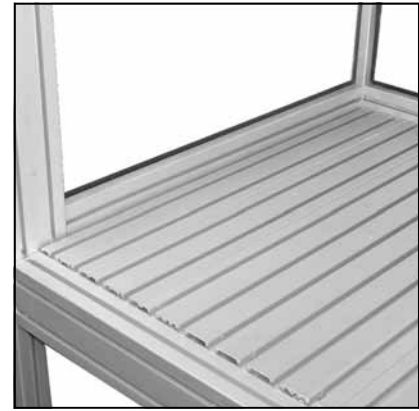
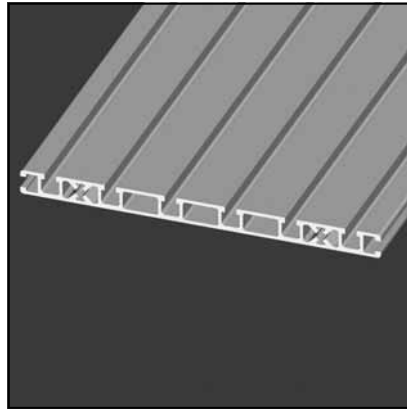
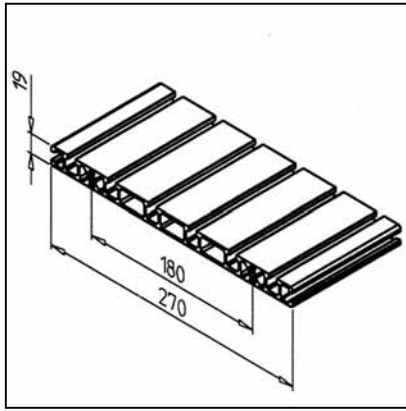
- Universal for general heavy duty constructions
- Linear guiding LB as slide
- Central bore Ø 32 mm for ball-bushings LME 20, for ball-bearings 6201 or 6002, for compressed air piping or guiding of hydraulic dd-in cylinders

ASSEMBLY

- MiniTec power-lock fastener
- Angle 45 or 90
- Screw connection

PROFILE 270 X 19

Part. N° 20.1077/0



TECHN. DATA / ITEMS SUPPLIED

APPLICATIONS

ASSEMBLY

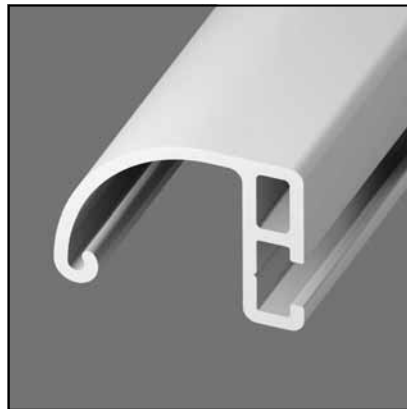
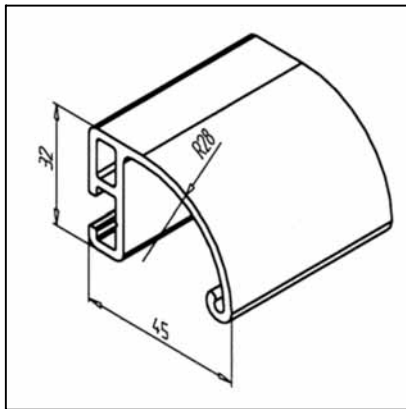
- lx =	10,348 cm ⁴
- ly =	1352,197 cm ⁴
- wx =	10,167 cm ³
- wy =	100,162 cm ³
- Weight	5,612 kg/m
- Length	6 m
- Packing unit	18 m

- Table tops
- Workstations
- Didactic installations i.e. pneumatic, electronics, automatic-control
- Demonstration units

- MiniTec power-lock fastener
- Screw connection
- Bolt-fastener 15

HANDLE PROFILE

Part. N° 20.1045/0



TECHN. DATA / ITEMS SUPPLIED

APPLICATIONS

ASSEMBLY

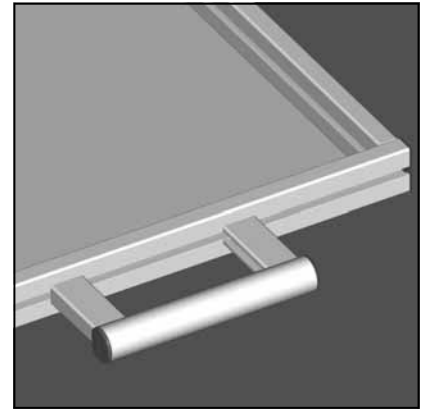
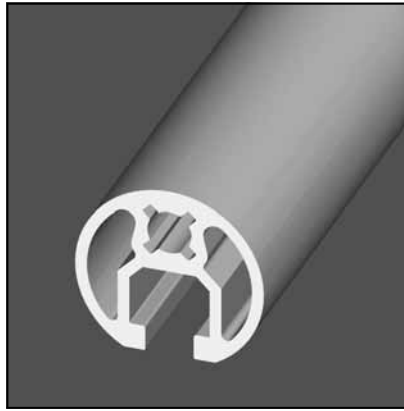
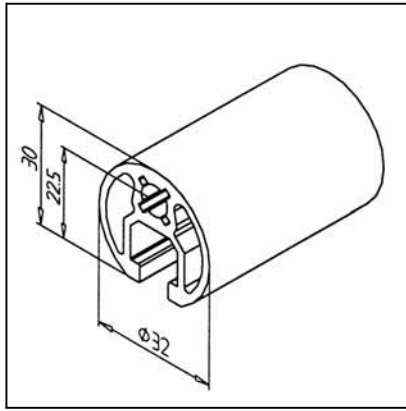
- lx =	3,531 cm ⁴
- ly =	7,654 cm ⁴
- wx =	1,985 cm ³
- wy =	2,856 cm ³
- Weight	0,890 kg/m
- Length	6 m
- Packing unit	60 m

- Handles of different lengths
- Edges
- Table edges
- Cover ledge for cable, pneumatic conducts

- Screw connection
- Mounting angle
- Lateral cover with end caps left Part N° 22.1055/0 and right Part N° 22.1054/0

HANDLE PROFILE 32

Part. N° 20.1088/0



TECHN. DATA / ITEMS SUPPLIED

- lx =	2,601 cm ⁴
- ly =	2,636 cm ⁴
- wx =	1,682 cm ⁴
- wy =	1,649 cm ⁴
- Weight	0,911 kg
- Length	6 m
- Packing unit	84 m

APPLICATIONS

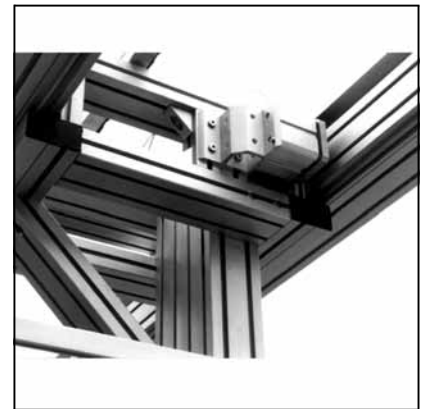
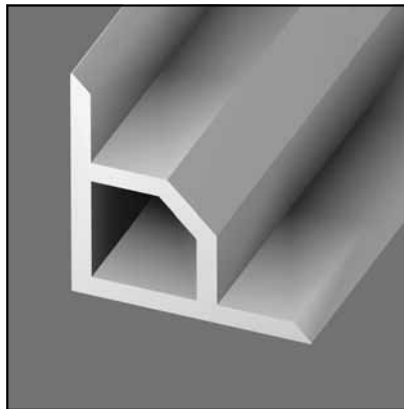
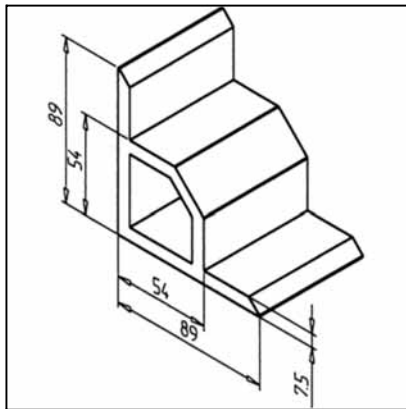
- Handles of different lengths for doors, drawer, handrails
- Edging of panel elements or posters up to 8 mm
- Horizontal profile for fixing of small roller conveyors

ASSEMBLY

- MiniTec power lock fastener
- Angle 19
- Bolt fastener
- Screw connection
- Lateral cover with end cap for handle profile 32

ANGULAR PROFILE 89 X 89

Part. N° 20.1011/0



TECHN. DATA / ITEMS SUPPLIED

- lx =	105,416 cm ⁴
- ly =	105,416 cm ⁴
- wx =	17,413 cm ³
- wy =	17,413 cm ³
- Weight	4,868 kg/m
- Length	6 m
- Packing unit	72 m

APPLICATIONS

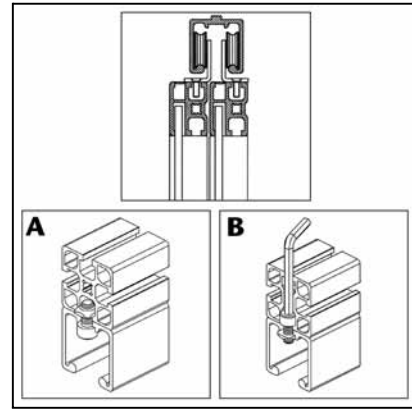
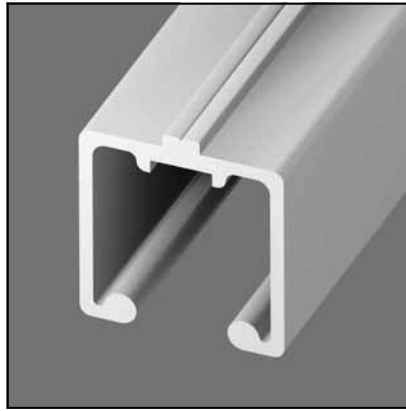
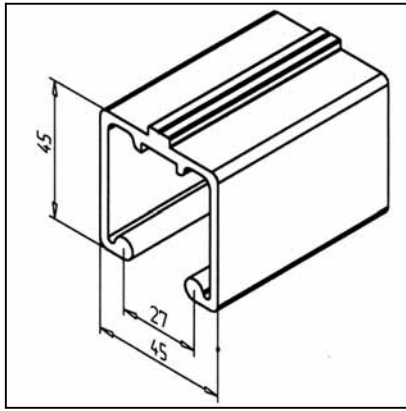
- Consoles
- Supports
- Material for special mounting angles

ASSEMBLY

- Screws M8 x 20 and square nuts M8

SLIDING DOOR PROFILE

Part. N° 20.1038/0



TECHN. DATA / ITEMS SUPPLIED

- Ix =	15,347 cm ⁴
- Iy =	15,597 cm ⁴
- wx =	5,912 cm ³
- wy =	6,932 cm ³
- Weight	1,474 kg/m
- Length	5 m
- Packing unit	40 m

APPLICATIONS

- Two wing sliding doors
- One wing sliding doors

ASSEMBLY

- Drill Ø 5 mm holes in centering groove; bore pitch: 250 - 400 mm depending on the load
- A) Position M8 F square nuts in the supporting profile and fasten the sliding rail profile with M8 x 25 cap screw
- B) Drill holes or step holes in the supporting profile and insert the square nuts in the sliding profile; the nuts are secured against torsion