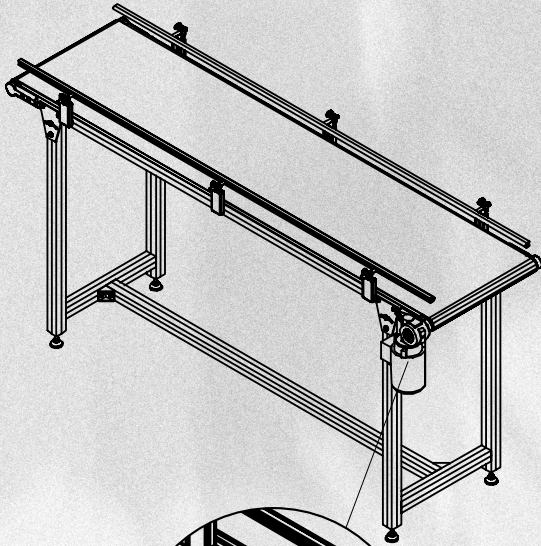


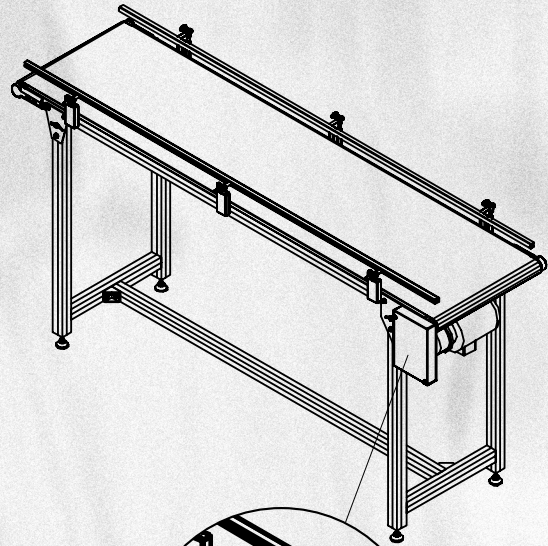
BELT CONVEYOR

The belt conveyor module in our MiniTec CADmenu construction software designs your belt conveyor automatically according to your requirements. Furthermore it calculates the deflection, suggests the number of supports and generates the respective part list - within a few minutes. Assembly can be carried out quickly and easily as a result of our proven components.

Motor arrangement

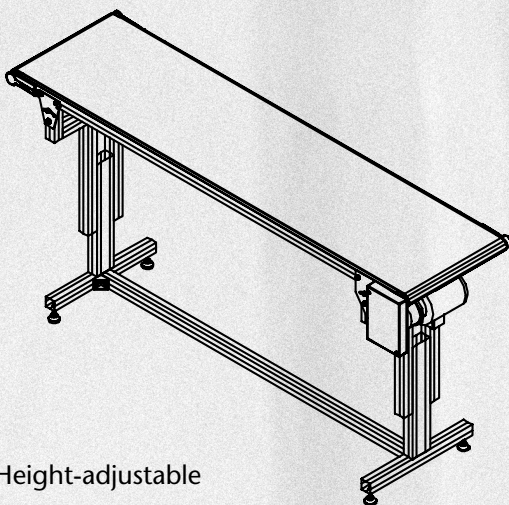


Plug-on motor

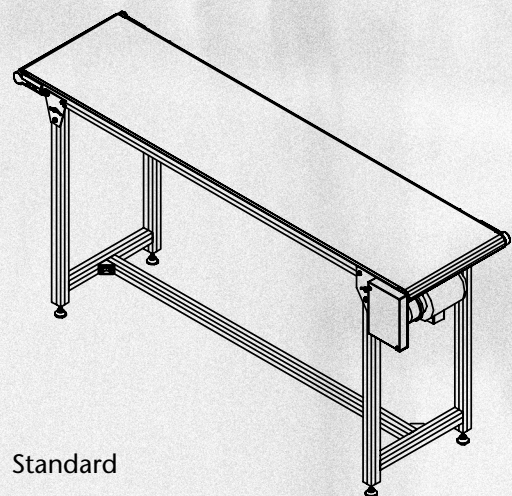


Flanged motor

Subconstructions



Height-adjustable



Standard