

INQUIRY CUSTOMISED WORKTABLE

Dimensions

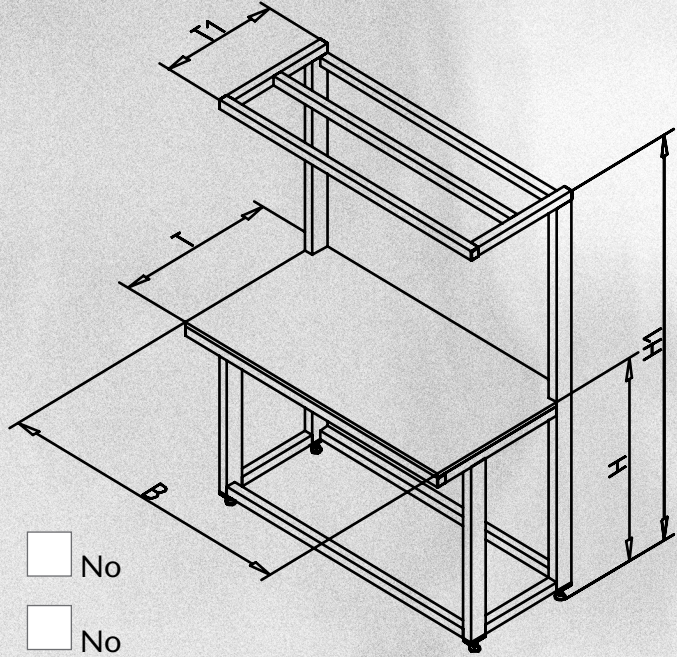
Width B mm

Height H mm

Depth T mm

Total height H1 mm

Extension strut T1 mm



Options

Extension strut Yes No

Foot rest Yes No

Foot rest, adjustable Yes No
 from mm up to mm

Grab containers Yes No Size

Tools box right Yes No

Tools box left Yes No

Pressed air connection Yes No

Lamp Yes No

Back panel Yes No Material

Table top Yes No Material

Spring pull Yes No

Swivelling tray Yes No

Company Please call me back

Name Please send me an offer

Phone number

Fax number